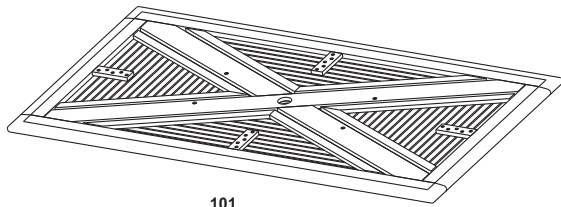


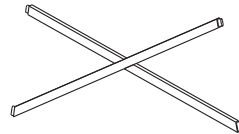
# COMPONENTS



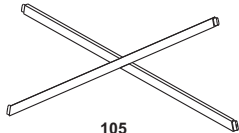
101



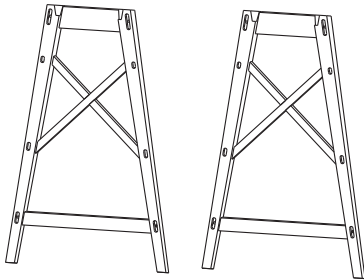
104



105



106



102

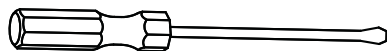


103

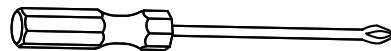
## HARDWARE

<p>A</p> <p>M6 x 75 4 pcs.</p>	<p>B</p> <p>M6 x 65 4 pcs.</p>	<p>C</p> <p>M6 x 20 4 pcs.</p>	<p>D</p> <p>4 x 40 4 pcs.</p>
<p>E</p> <p>8 pcs.</p>	<p>F</p> <p>1 pc.</p>	<p>G</p> <p>1 pc.</p>	

## TOOLS REQUIRED

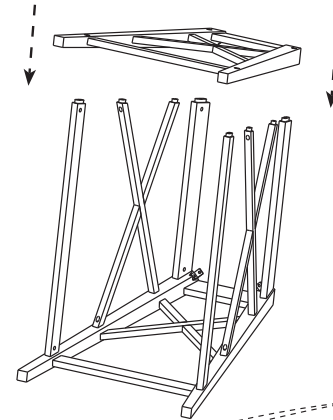
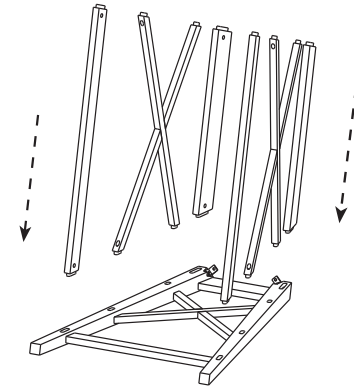


flat head screwdriver

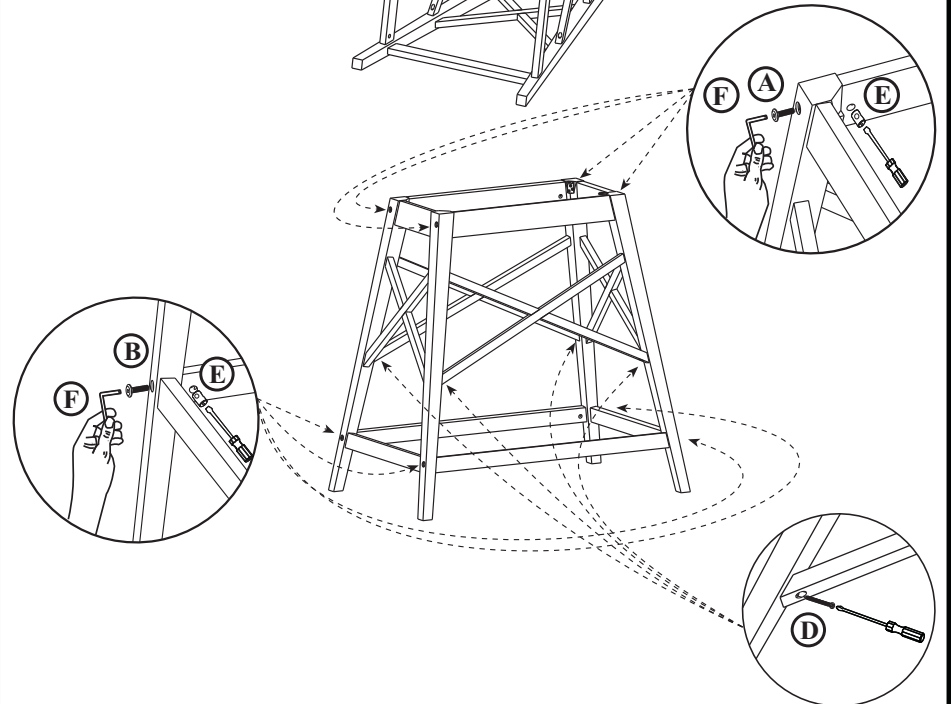


screwdriver

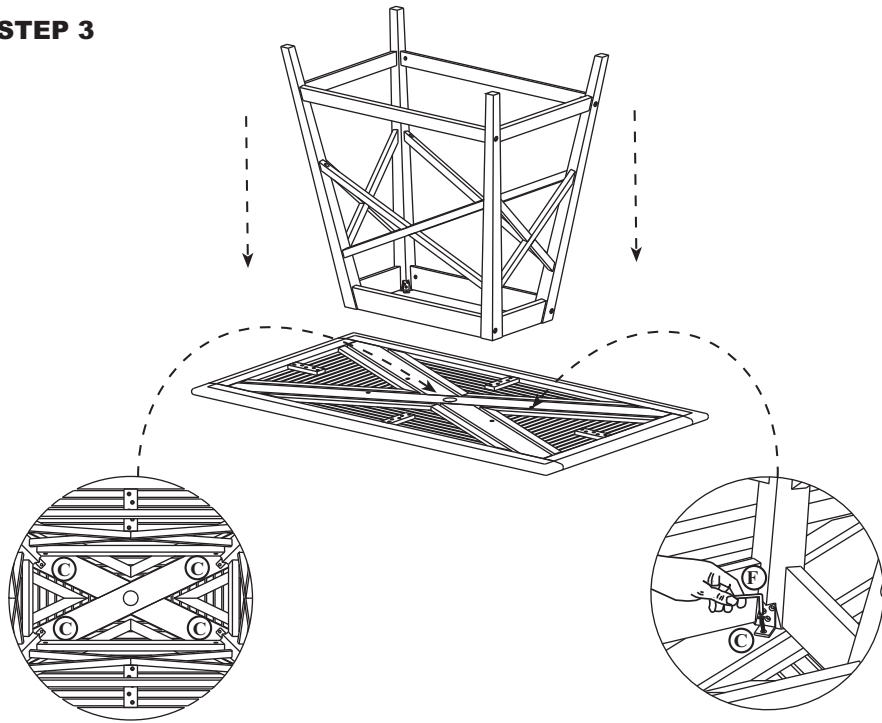
## STEP 1



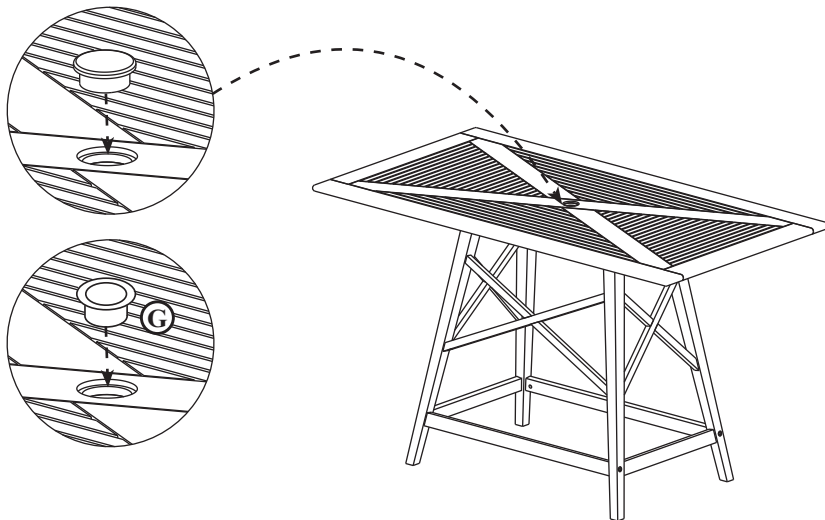
## STEP 2



**STEP 3**



**STEP 4**



**OPAL COUNTER HEIGHT  
TABLE (#6439)**

**63250**

**Assembly Instructions**

