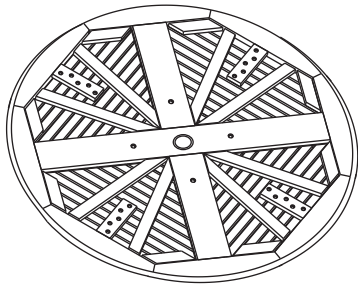
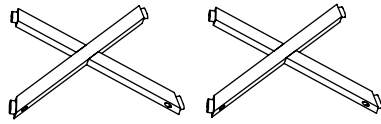


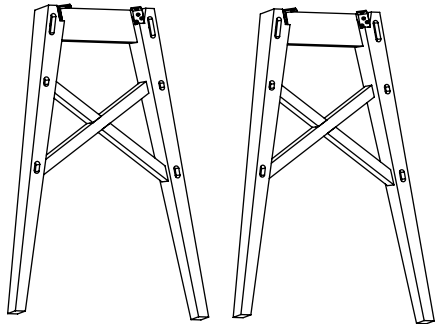
COMPONENTS



101



102



103





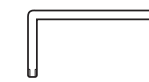



104

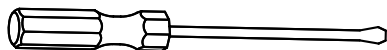


105

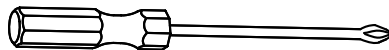
HARDWARE

<p>A</p>  <p>M6 x 75 4 pcs.</p>	<p>B</p>  <p>M6 x 20 4 pcs.</p>	<p>C</p>  <p>4 x 40 4 pcs.</p>	<p>D</p>  <p>4 pcs.</p>
<p>E</p>  <p>1 pc.</p>	<p>F</p>  <p>1 pc.</p>		

TOOLS REQUIRED

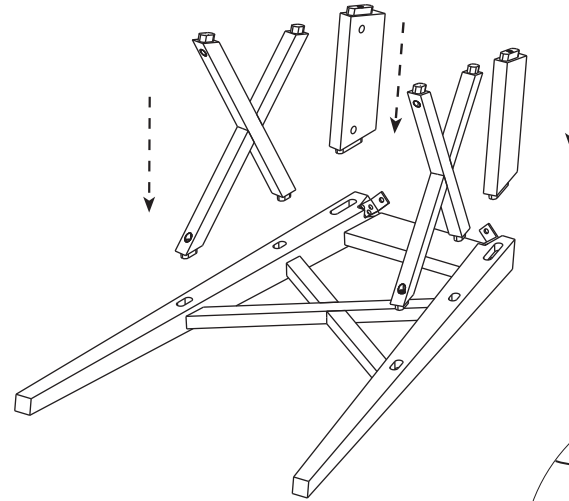


flat head screwdriver

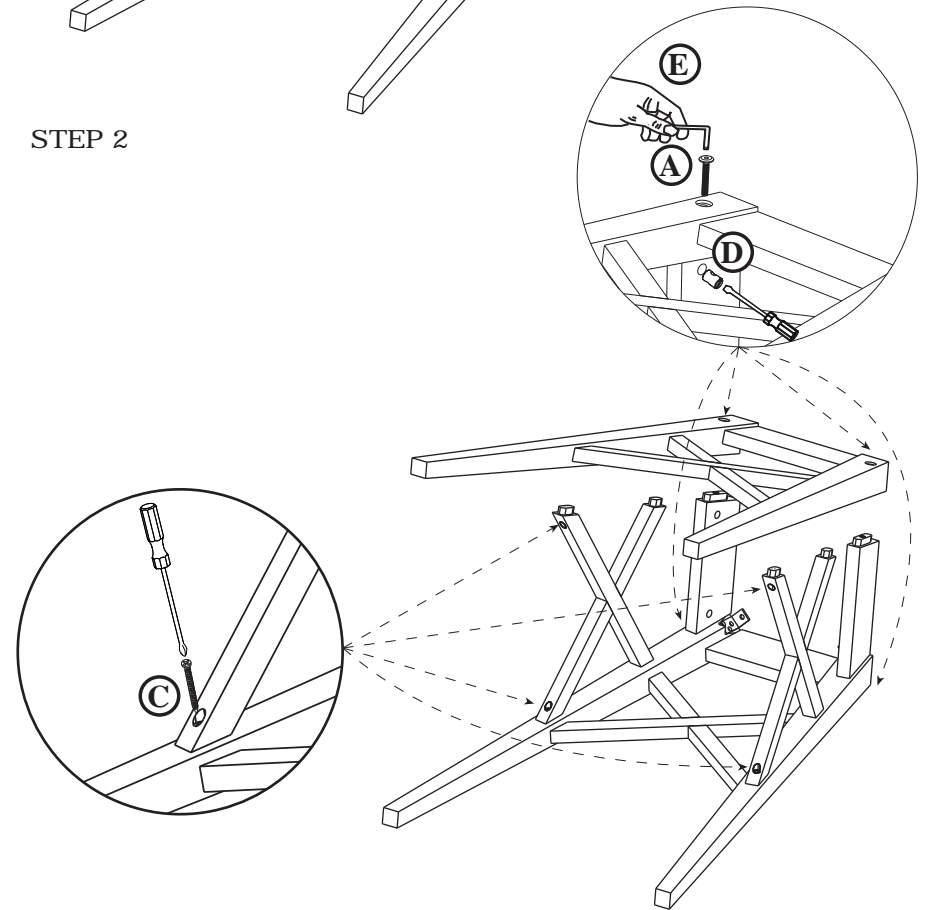


screwdriver

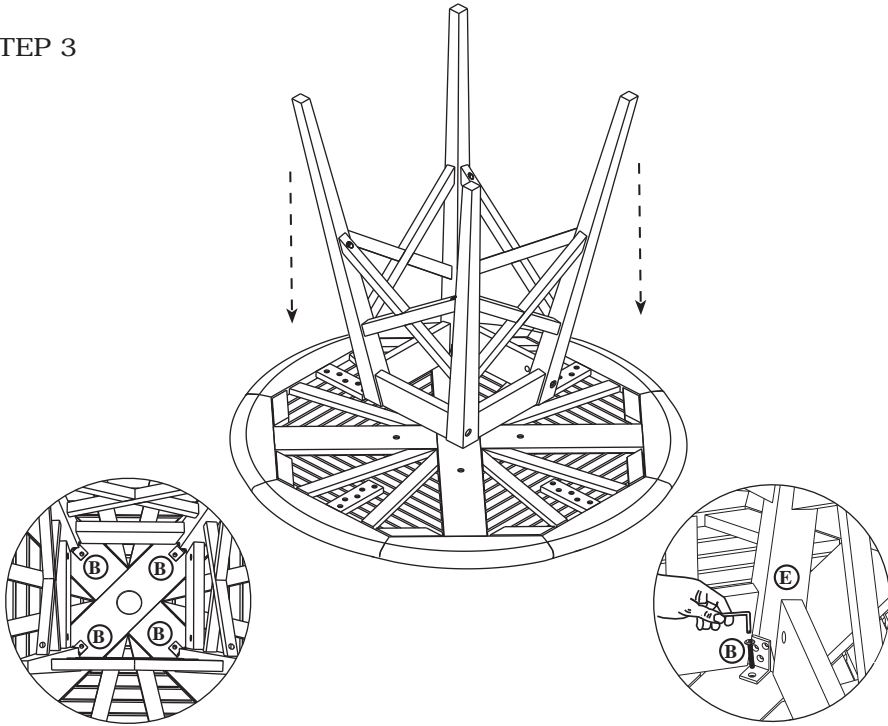
STEP 1



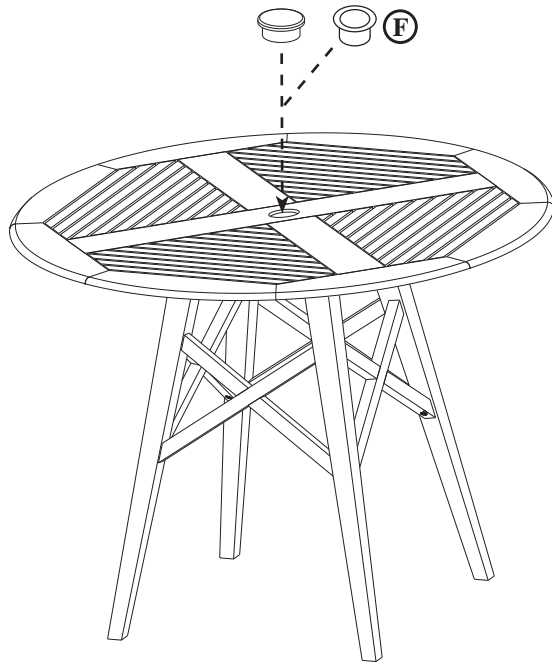
STEP 2



STEP 3



STEP 4



OPAL 48" ROUND TABLE(#6437)

63220

Assembly Instructions

