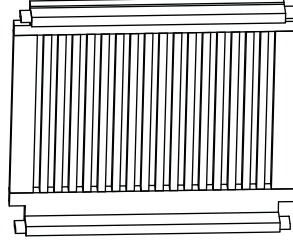
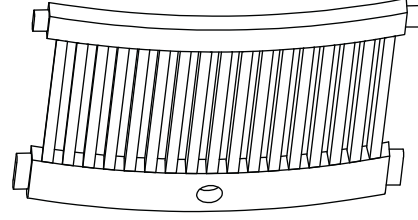
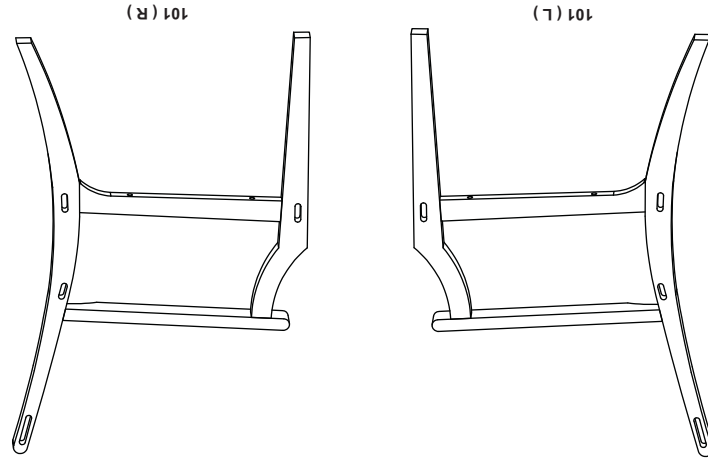



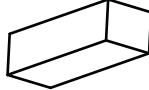


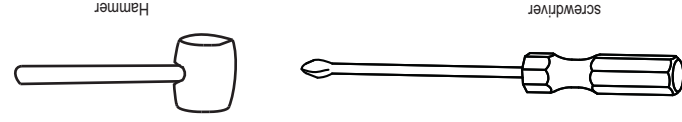
COMPONENTS



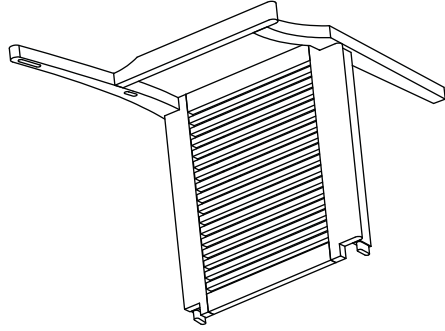
HARDWARE

<p>A</p> <p>50 mm 4 pcs.</p> 	<p>B</p> <p>35 x 8mm 10 pcs.</p> 	<p>C</p> <p>22 x 8mm 4 pcs.</p> 	<p>D</p> <p>1 pc.</p> 
--	--	---	---

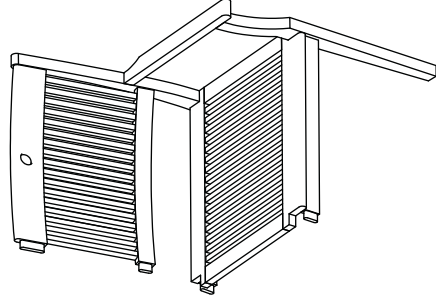
TOOLS REQUIRED



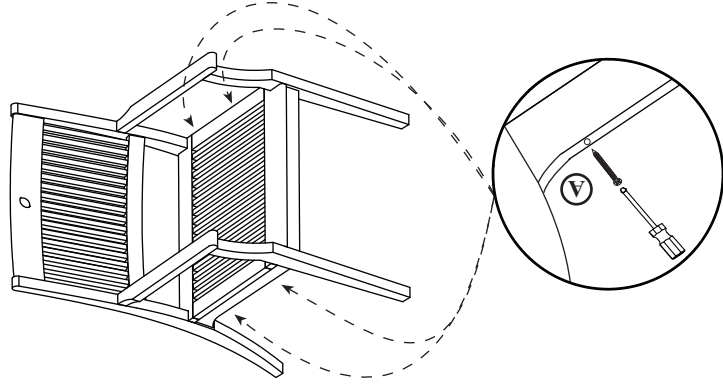
STEP 1



STEP 2



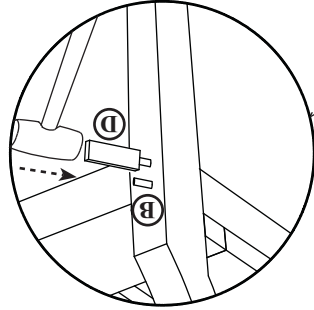
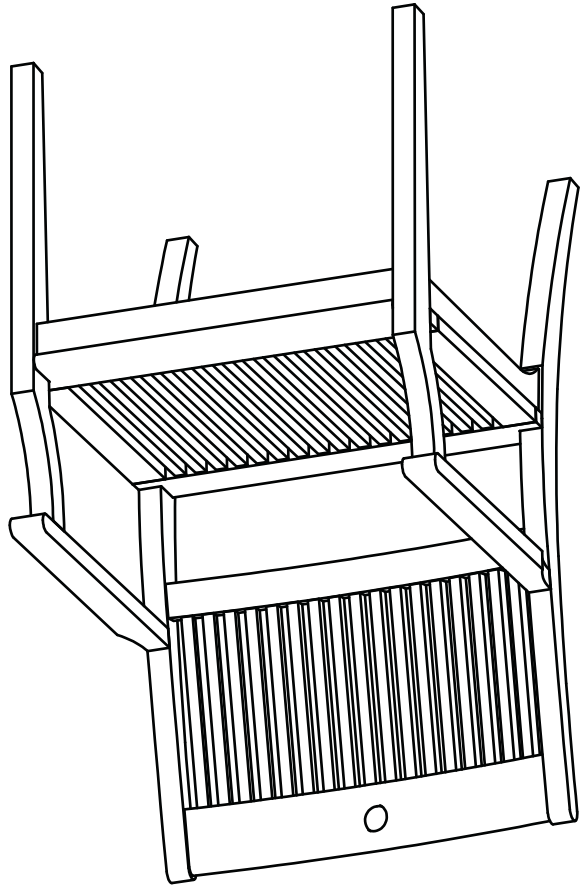
STEP 3



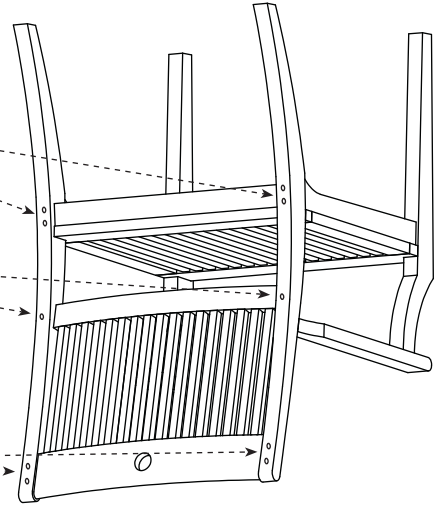
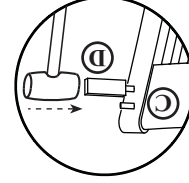
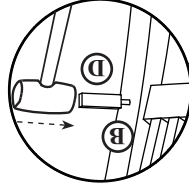
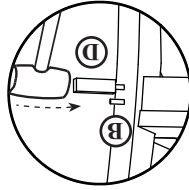
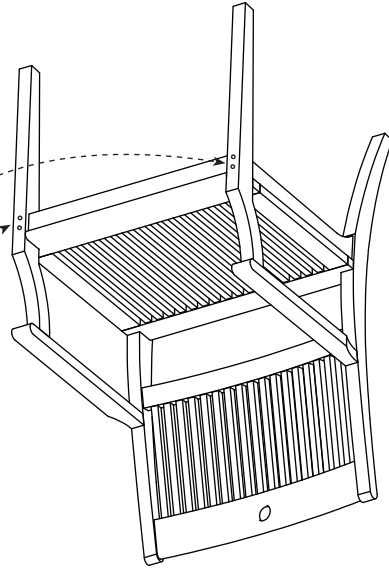
OPAL DINING CHAIR(#6286)

63010

Assembly Instructions



STEP 4



STEP 5