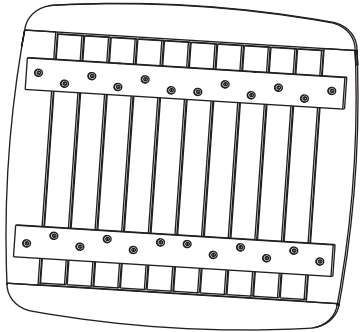


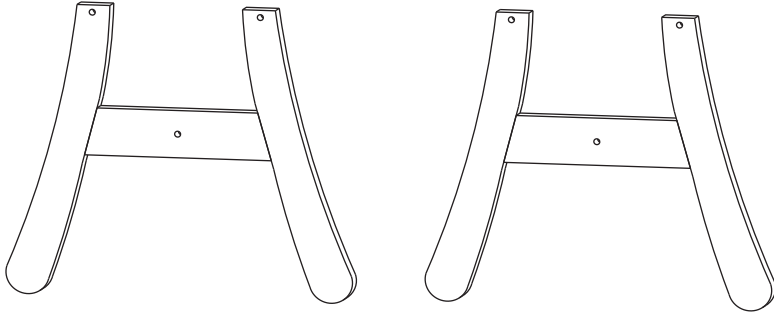
COMPONENTS



101







102

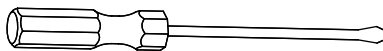


103

HARDWARE

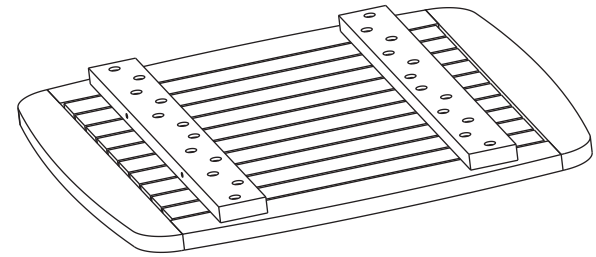
A  M6 x 50 mm 2 pcs.	B  40 mm 4 pcs.	C  2 pcs.	D  1 pc.
--	---	--	---

TOOLS REQUIRED

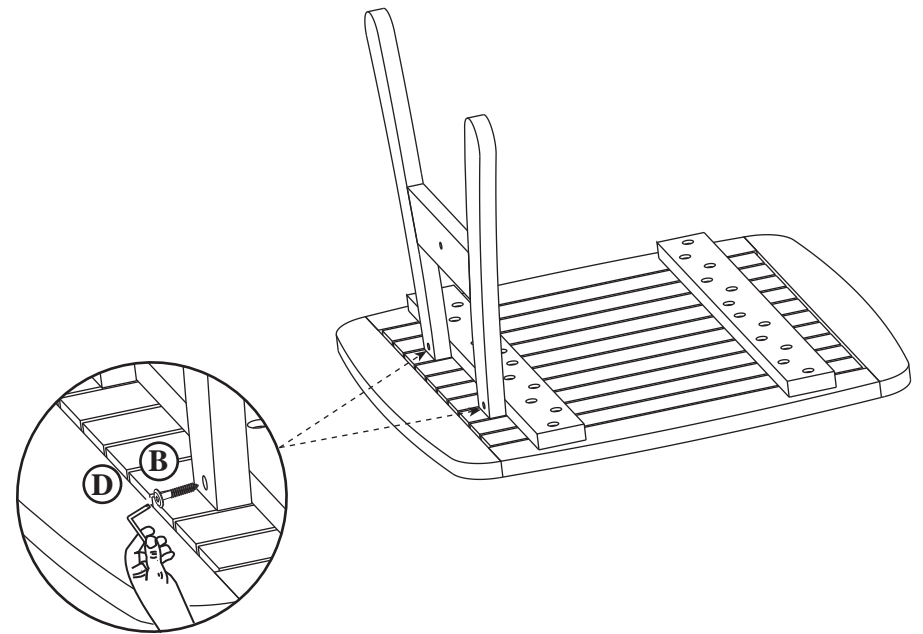


flat head screwdriver

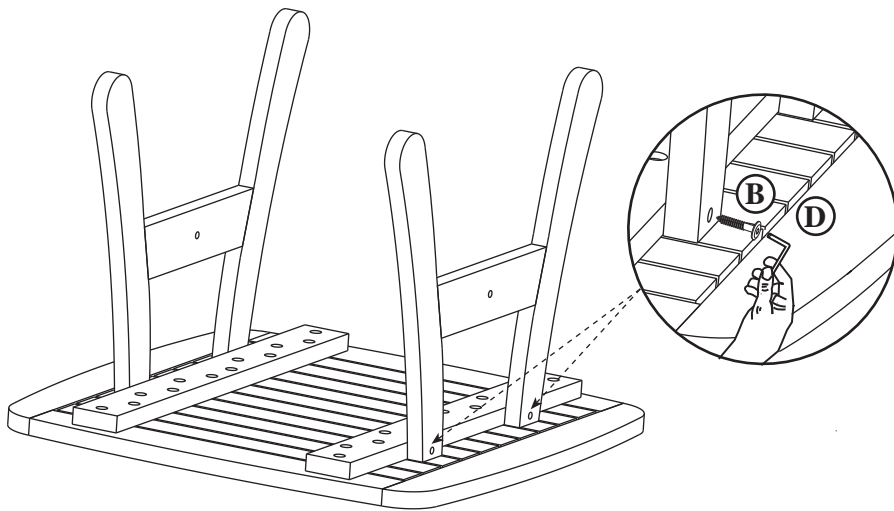
STEP 1



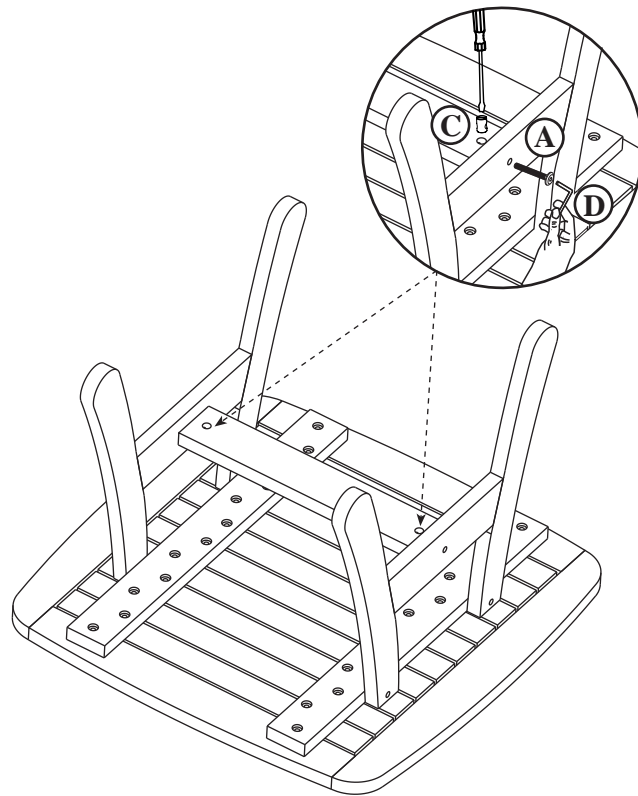
STEP 2



STEP 3



STEP 4



OCCASIONAL SQUARE TABLE (#6506)

62700

Assembly Instructions

