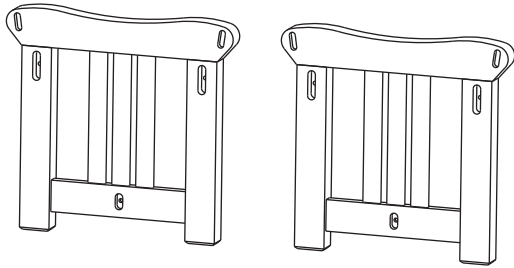
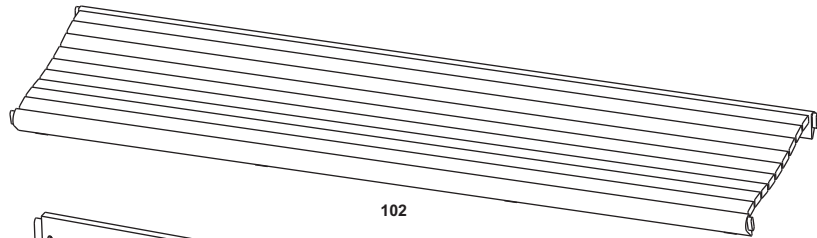


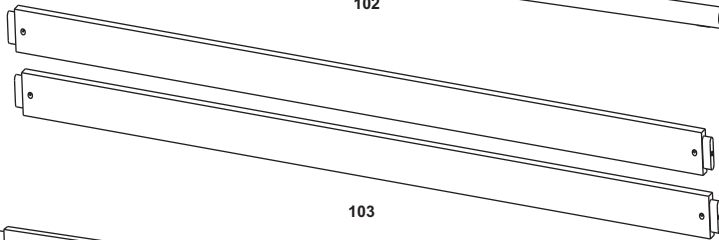
## COMPONENTS



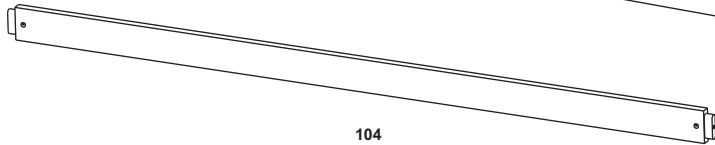
101



102







103

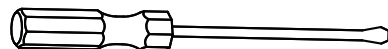


104

## HARDWARE

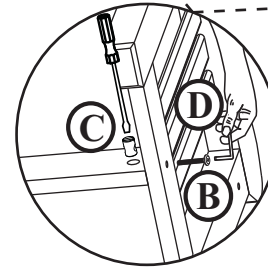
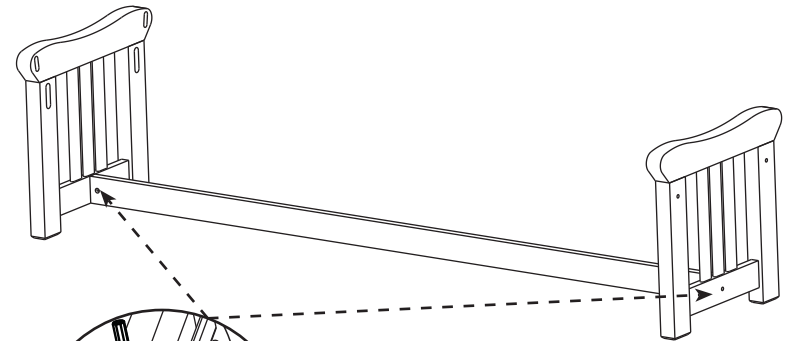
<p>A</p>  <p>M6 x 75 4 pcs.</p>	<p>B</p>  <p>M6 x 50 2 pcs.</p>	<p>C</p>  <p>6 pcs.</p>	<p>D</p>  <p>1 pc.</p>
--	--	--	---

## TOOLS REQUIRED

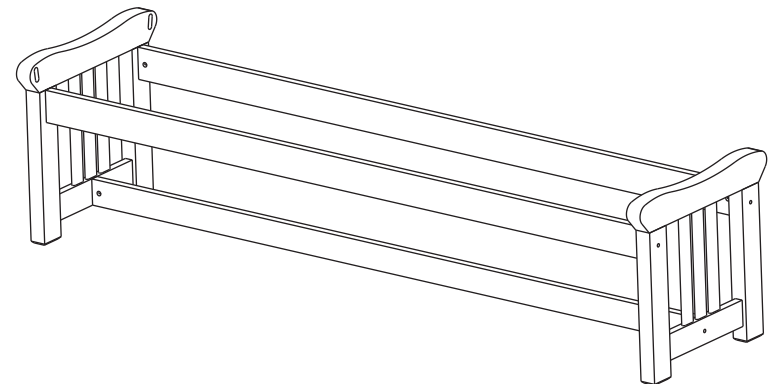


flat head screwdriver

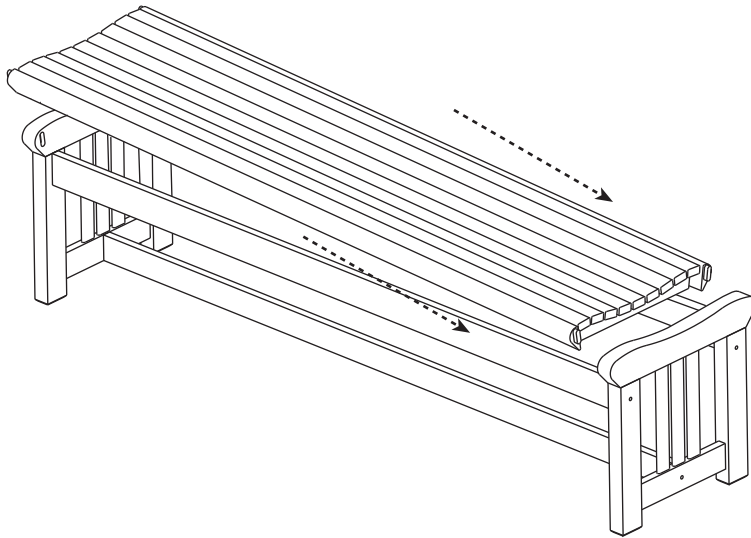
## STEP 1



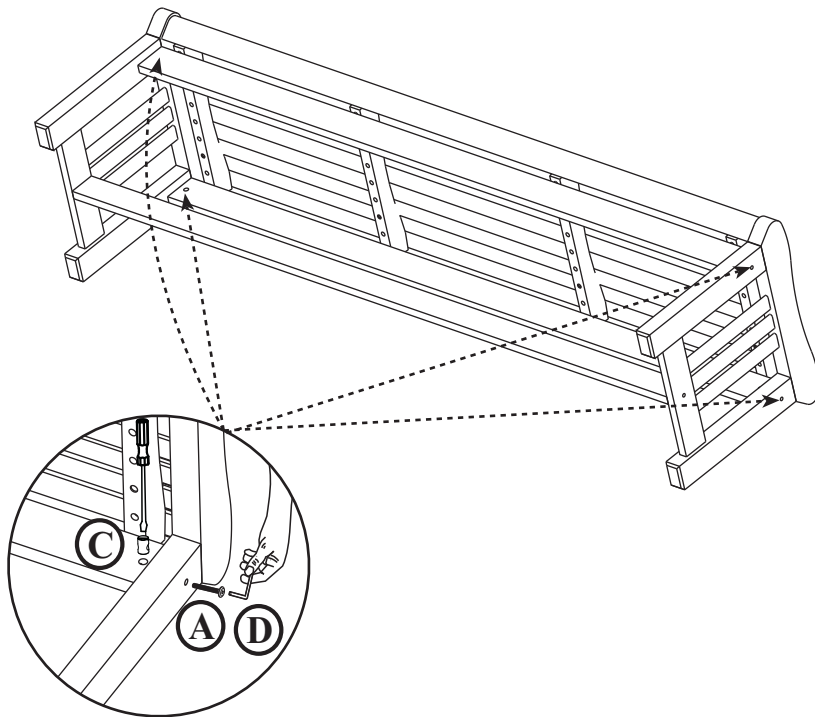
## STEP 2



**STEP 3**



**STEP 4**



**LINCOLN BACKLESS  
BENCH (#6523)**

**62520**

**Assembly Instructions**

