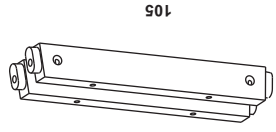
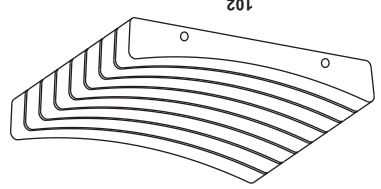
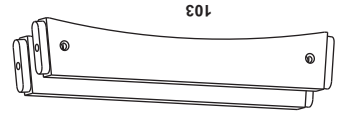
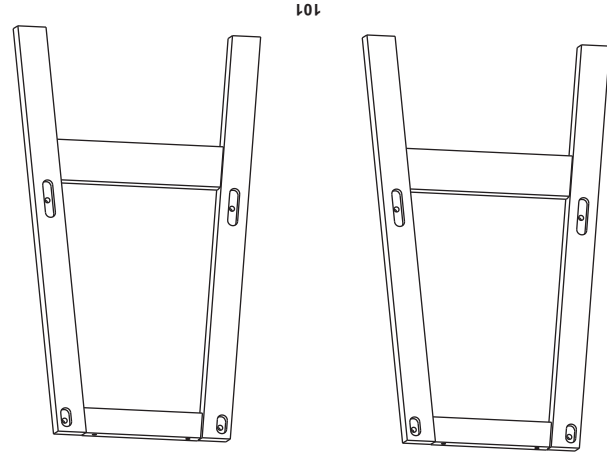




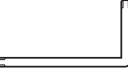


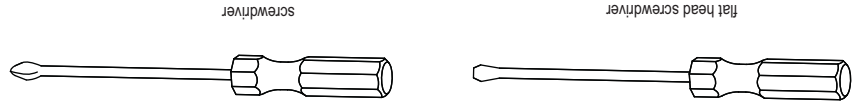
# COMPONENTS



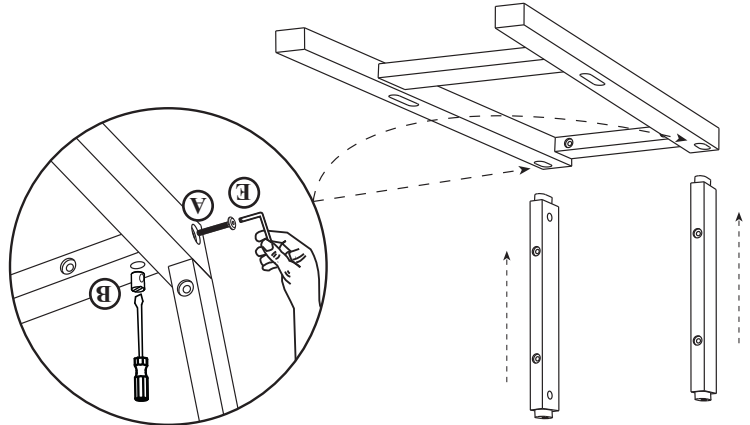
## HARDWARE

<p>A</p>  <p>M6 x 65 mm 8 pcs.</p>	<p>B</p>  <p>8 pcs.</p>	<p>C</p>  <p>4 x 50 mm 8 pcs.</p>	<p>D</p>  <p>25 mm 4 pcs.</p>	<p>E</p>  <p>1 pc.</p>
---	--	--	--	---

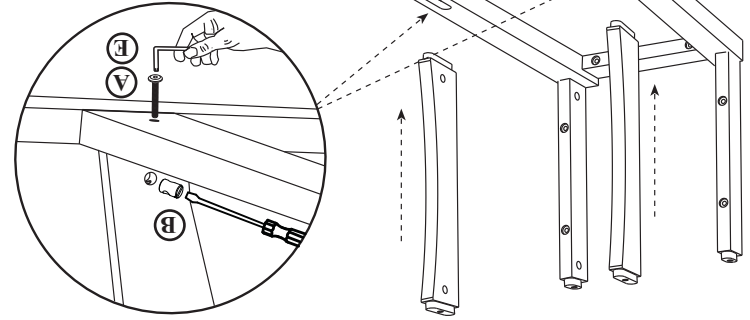
## TOOLS REQUIRED



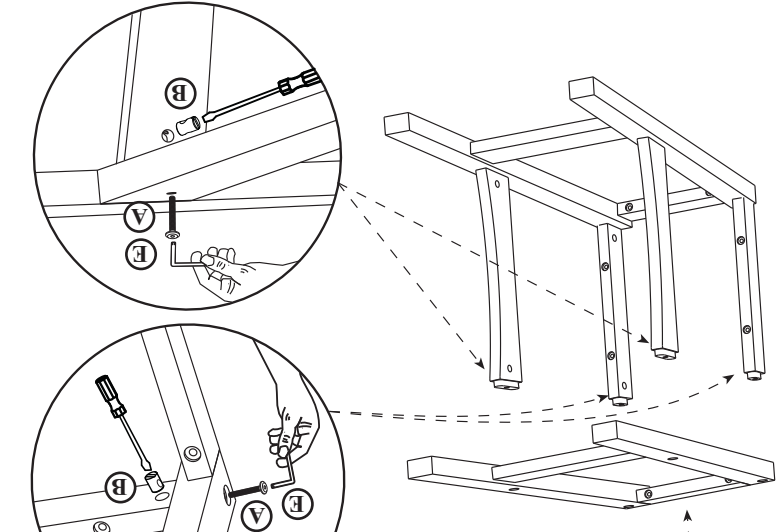
### STEP 1



### STEP 2



### STEP 3



# SUNSET BAR STOOL WITH BACK

(#6539)

# 62510

Assembly Instructions

