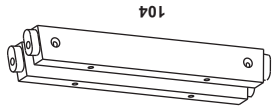
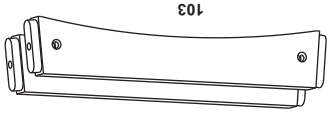
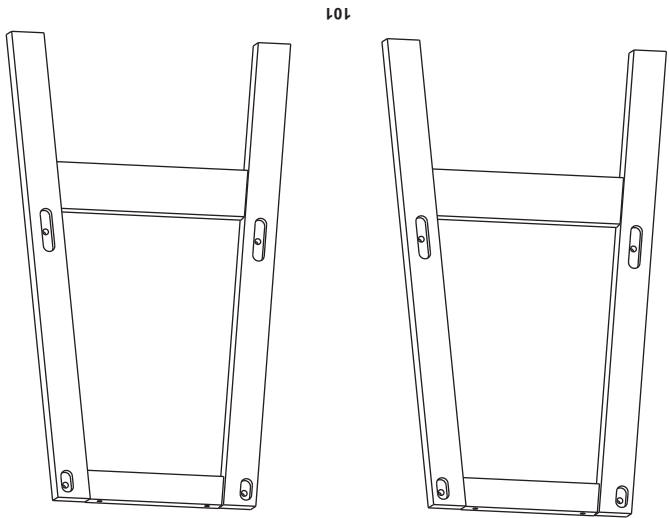


## COMPONENTS

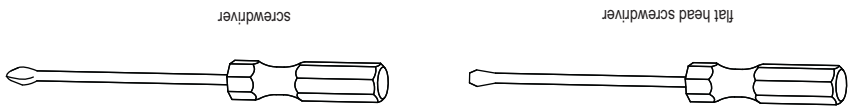


102

104





103

## TOOLS REQUIRED

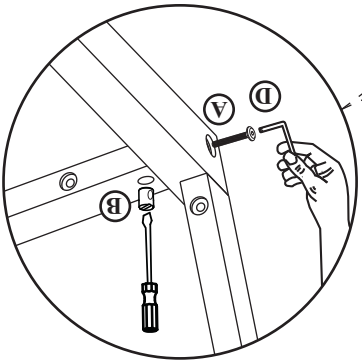
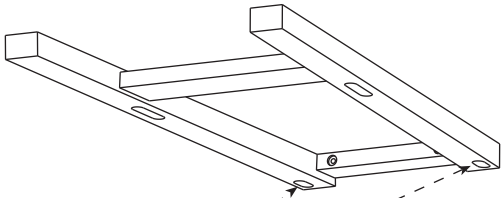


flat head screwdriver

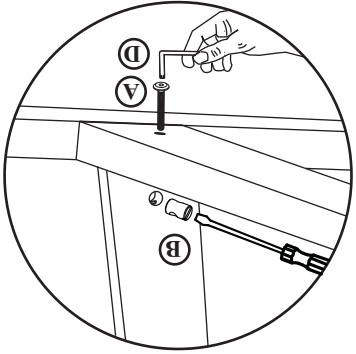
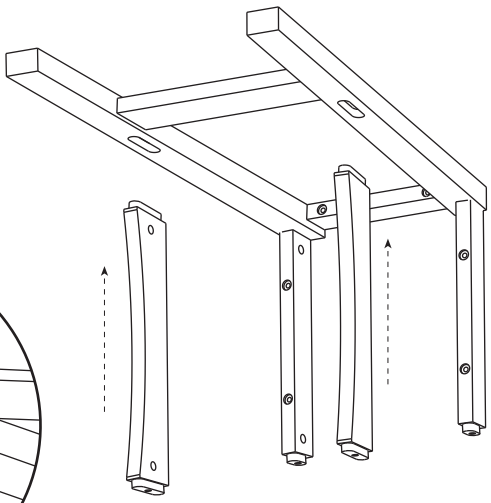
screwdriver

HARDWARE			
<p>A</p> <p>M6 x 65 mm 8 pcs.</p> 	<p>B</p> <p>8 pcs.</p> 	<p>C</p> <p>4 x 50 mm 8 pcs.</p> 	<p>D</p> <p>1 pc.</p> 

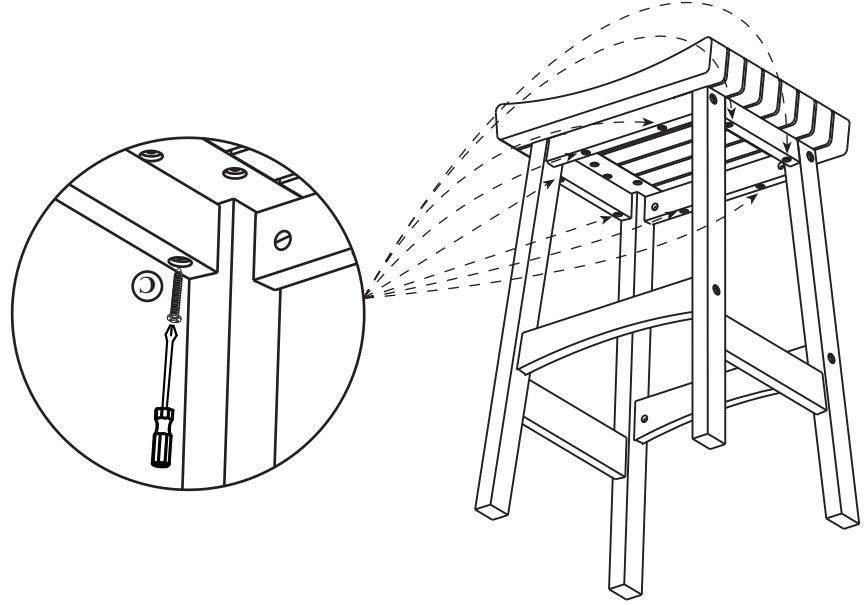
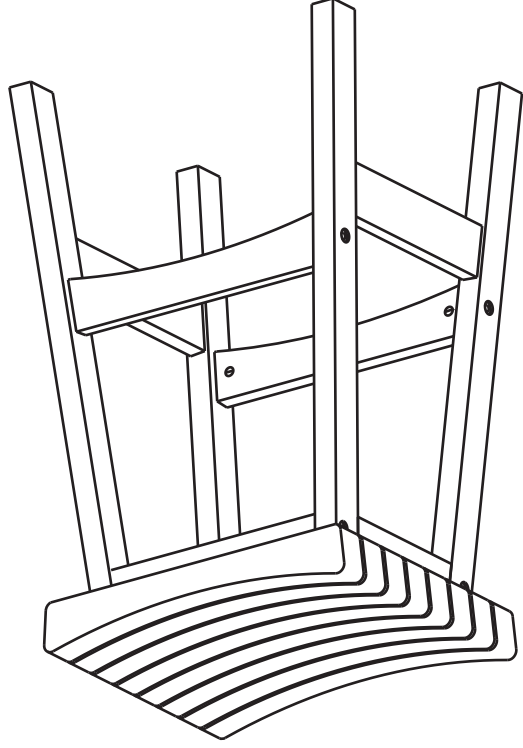
## STEP 1



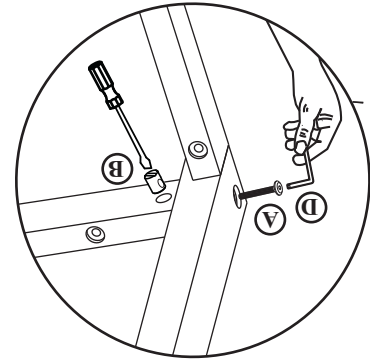
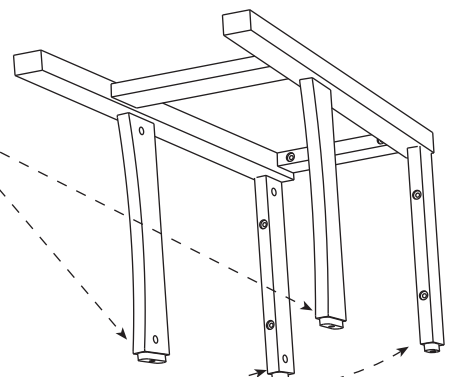
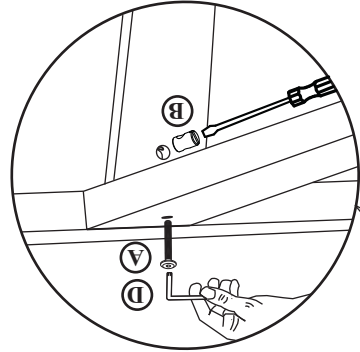
## STEP 2



SUNSET BAR STOOL(#6537)  
62500  
Assembly Instructions



STEP 5



STEP 4