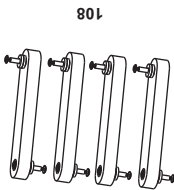
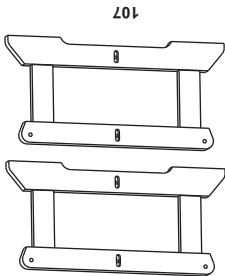
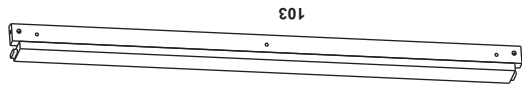
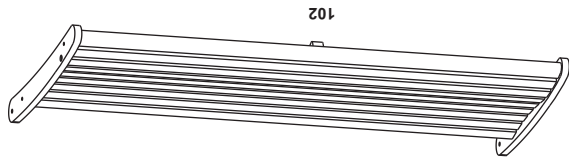
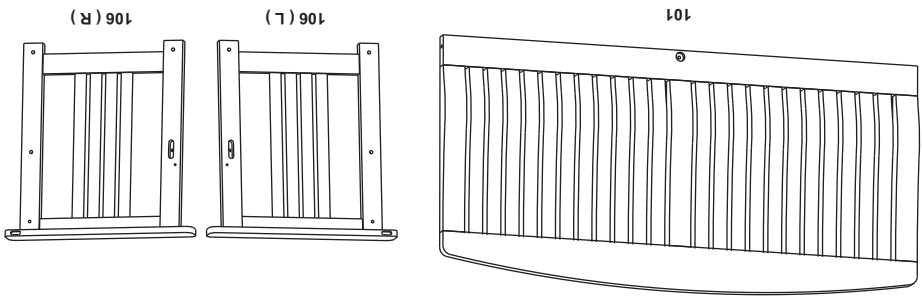


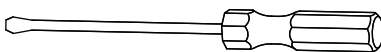
# COMPONENTS



# HARDWARE

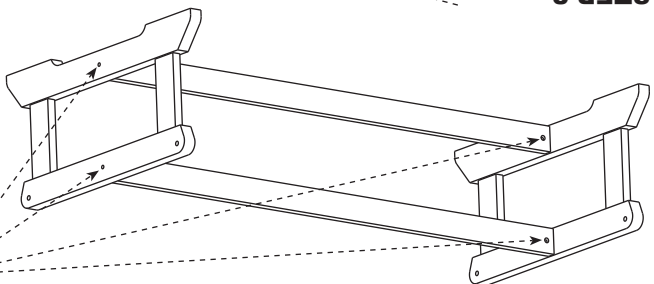
<p>A M6 x 65 mm 8 pcs.</p>	<p>B M6 x 50 mm 3 pcs.</p>	<p>C 2 pcs.</p>	<p>D 40 mm 5 pcs.</p>
<p>E 11 pcs.</p>	<p>F 2 pcs.</p>		

flat head screwdriver

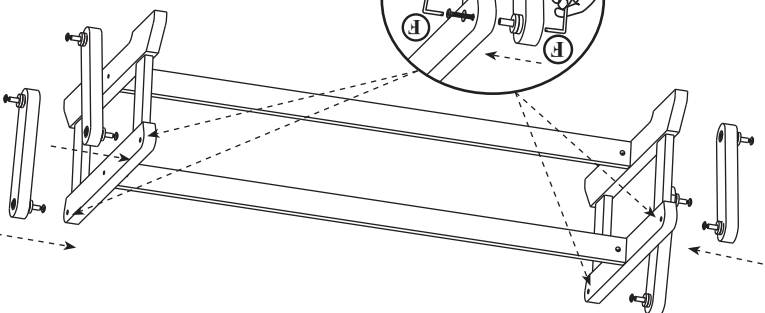


# TOOLS REQUIRED

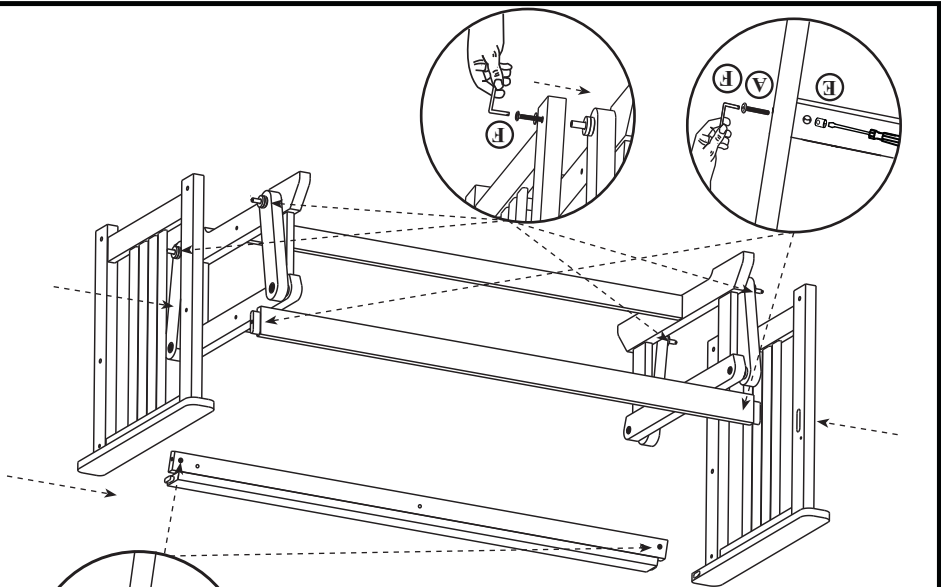
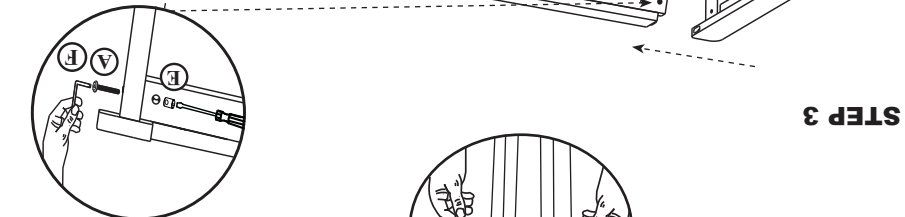
## STEP 1

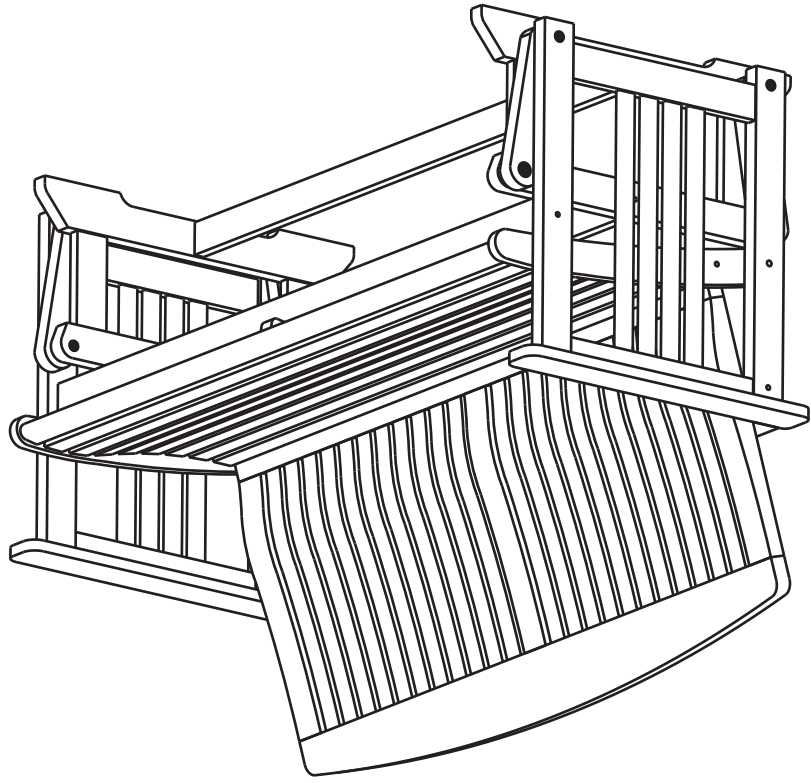


## STEP 2



## STEP 3





LINCOLN GLIDER(#6516)  
**62460**  
Assembly Instructions

