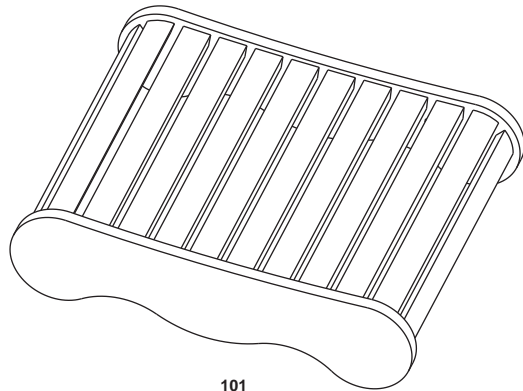
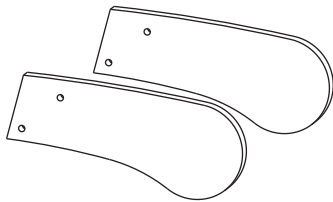


COMPONENTS



101



102

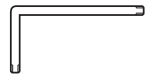
HARDWARE

A



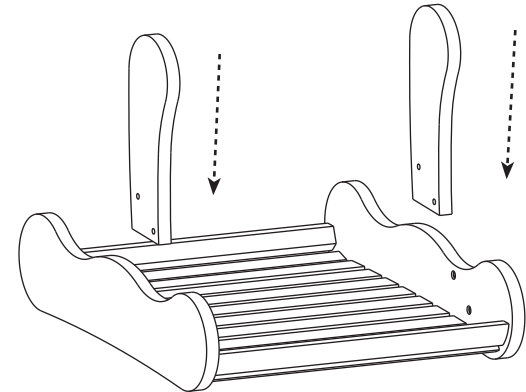
M6 x 30
4 pcs.

B

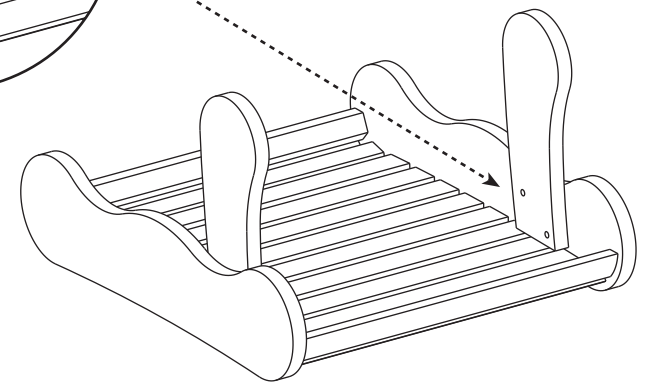
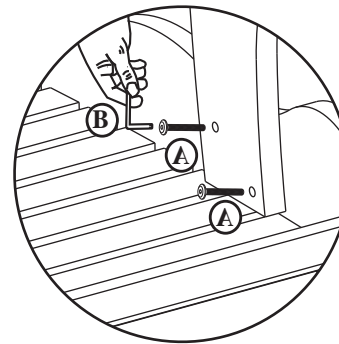


1 pc.

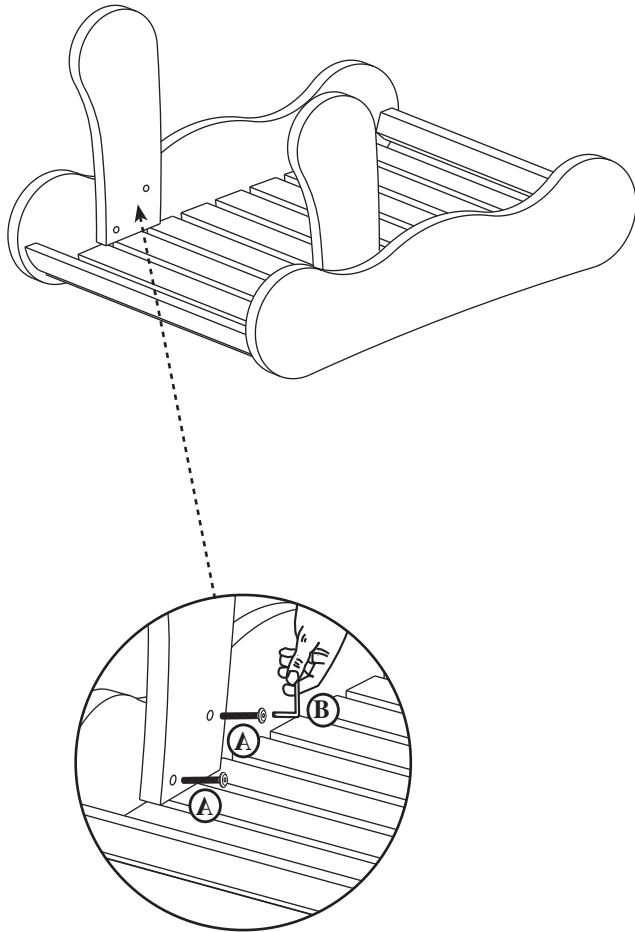
STEP 1



STEP 2



STEP 3



ADIRONDACK FOOTREST (#6223)

62410

Assembly Instructions

