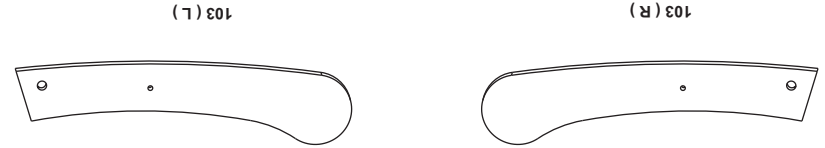
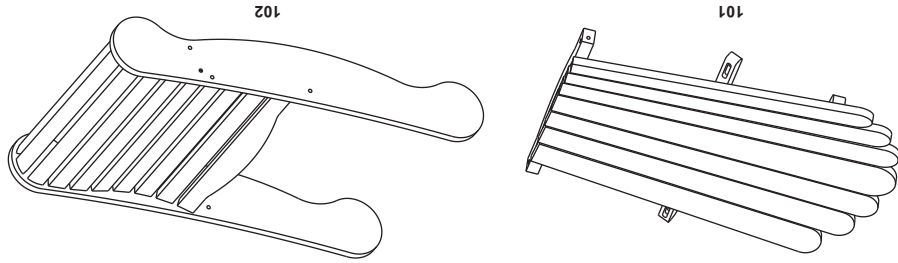


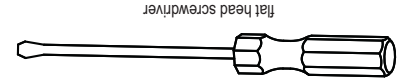
COMPONENTS



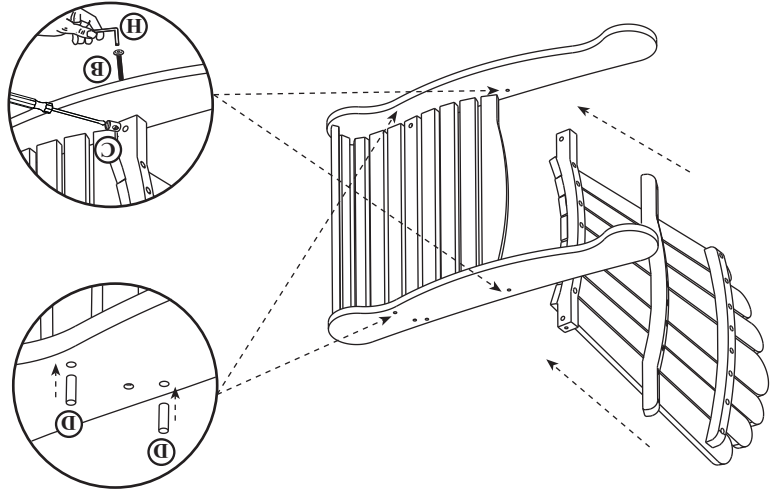
HARDWARE

A 4 pcs. M6 x 75	B 2 pcs. M6 x 50	C 6 pcs.	D 4 pcs.
E 2 pc.	F 2 pc.	G 2 pcs.	H 1 pc.

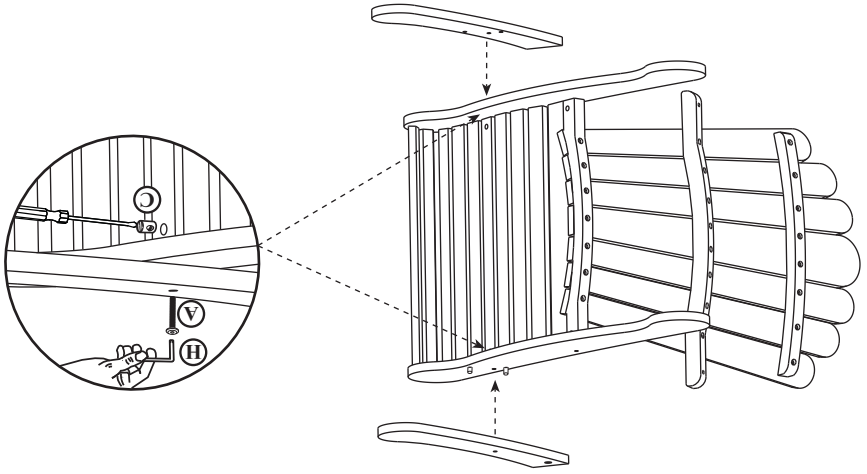
TOOLS REQUIRED



STEP 1



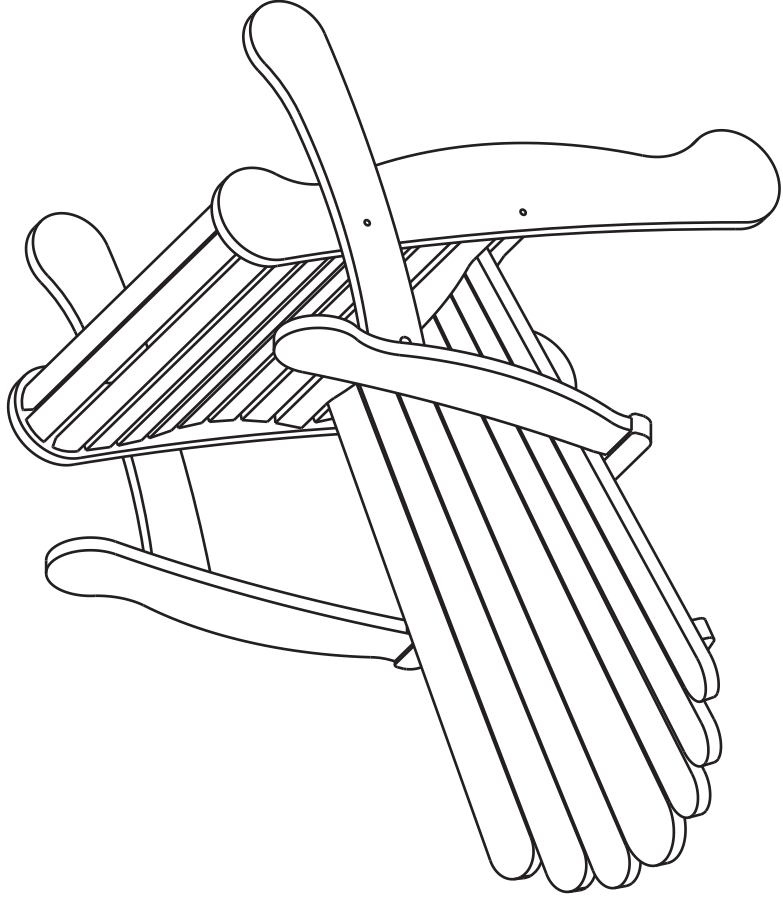
STEP 2



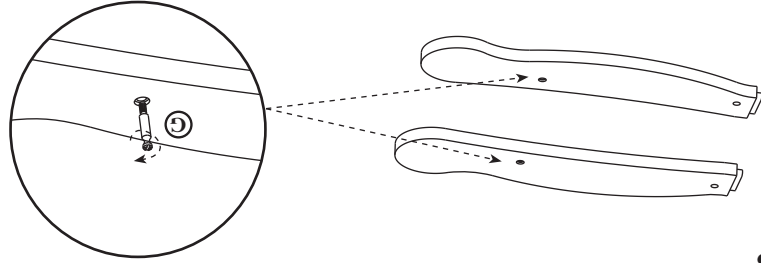
ADIRONDACK CHAIR(#6222)

62400

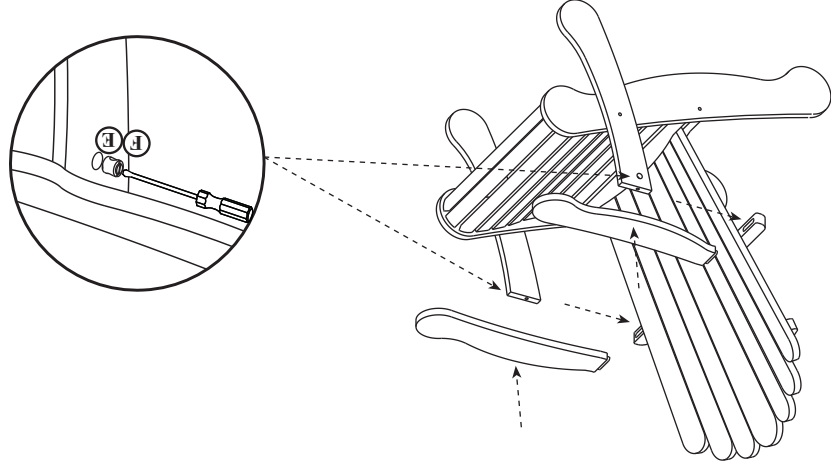
Assembly Instructions



STEP 3



STEP 4



STEP 5

