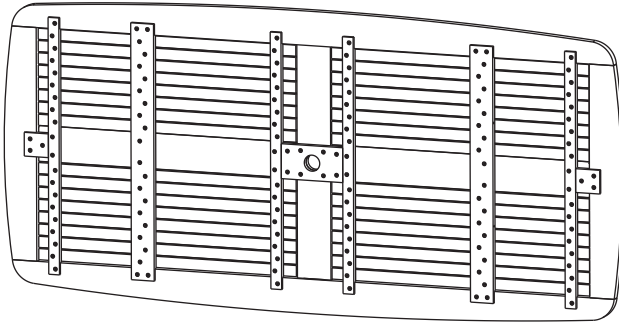
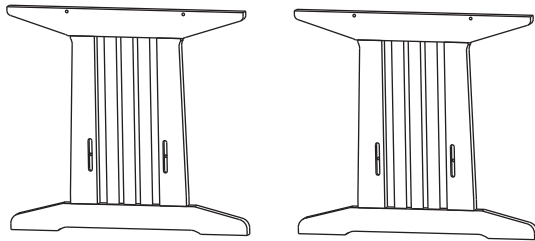


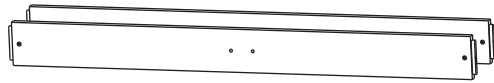
COMPONENTS



101



102



103





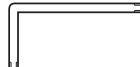

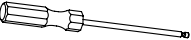


104

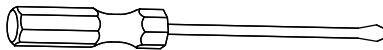


105

HARDWARE

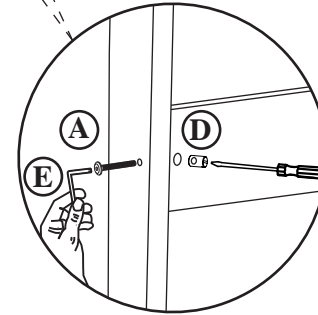
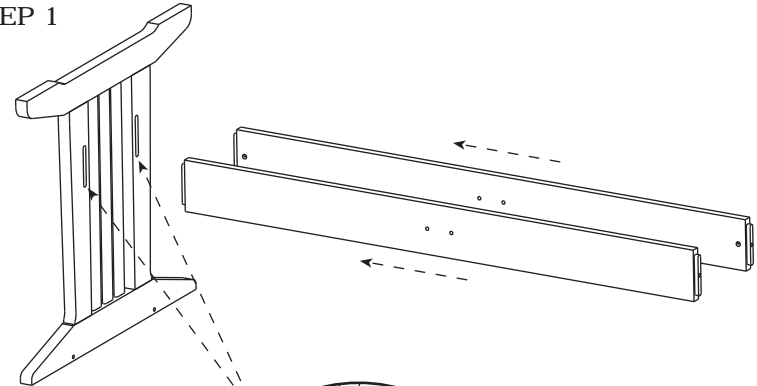
<p>A</p>  <p>M6 x 65 mm 4 pcs.</p>	<p>B</p>  <p>M6 x 50 mm 4 pcs.</p>	<p>C</p>  <p>50 mm 4 pcs.</p>	<p>D</p>  <p>8 pcs.</p>
<p>E</p>  <p>1 pc.</p>	<p>F</p>  <p>1 pc.</p>	<p>G</p>  <p>1 pc.</p>	

TOOLS REQUIRED

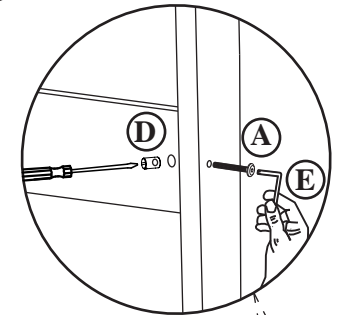
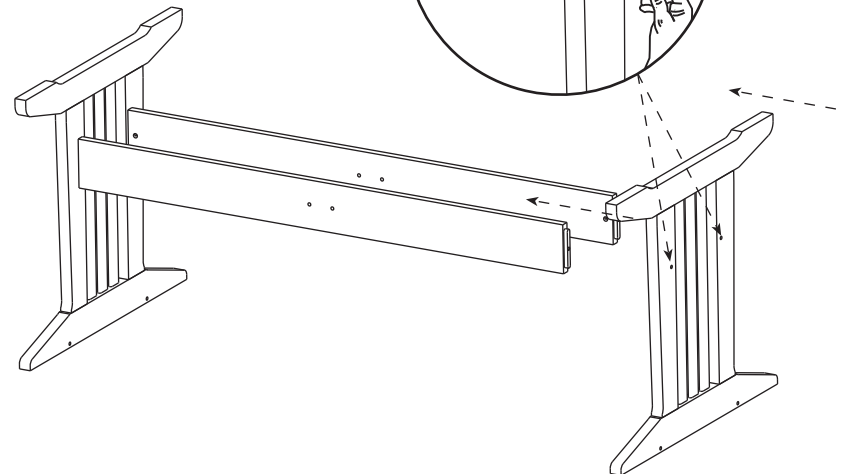


flat head screwdriver

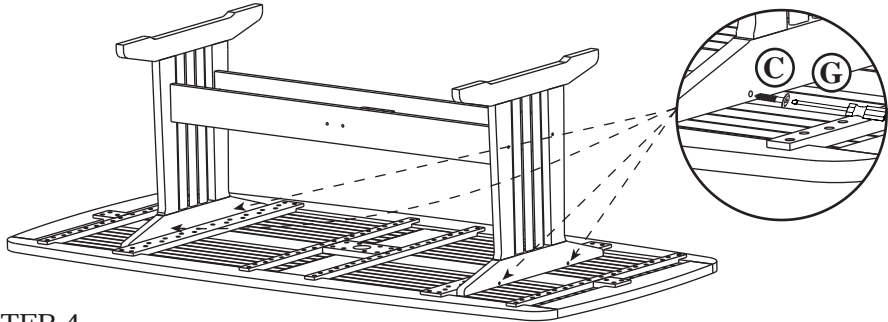
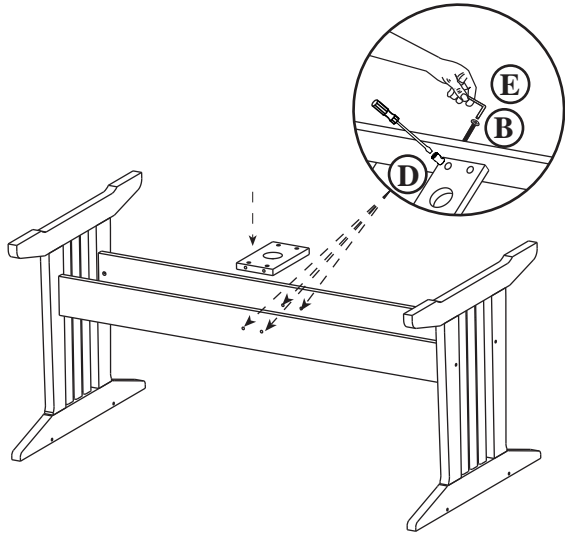
STEP 1



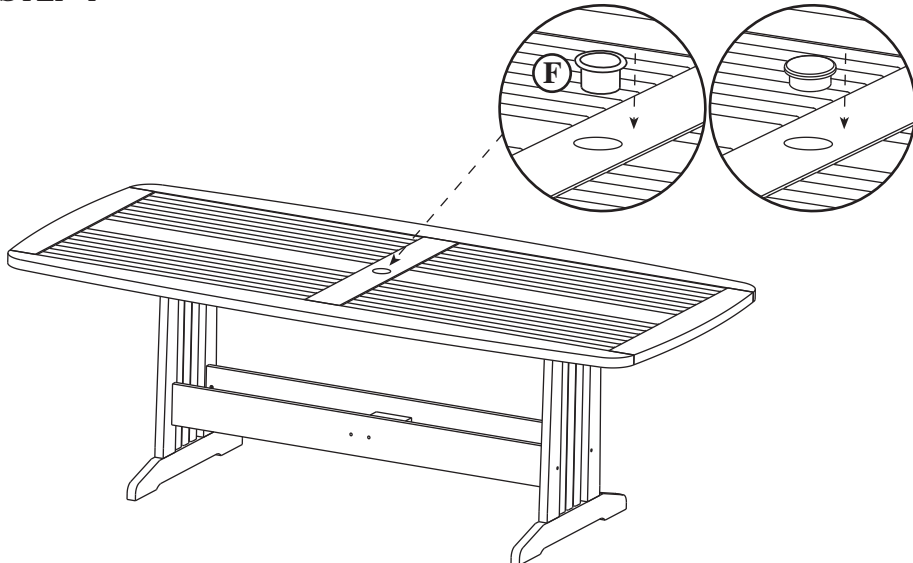
STEP 2



STEP 3



STEP 4



BUNBURY TABLE (#6480)

62280

Assembly Instructions

