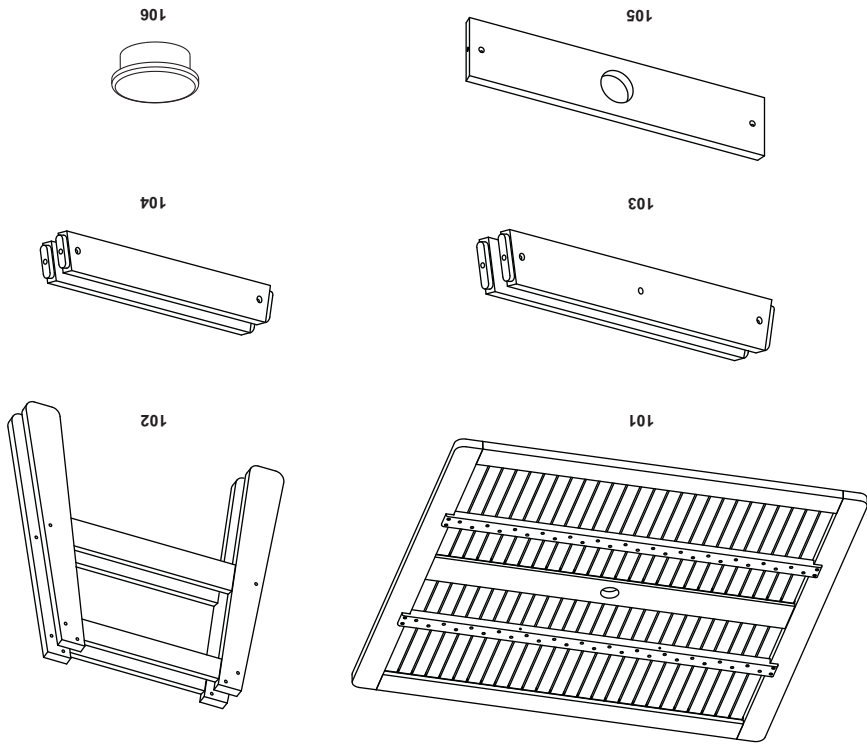
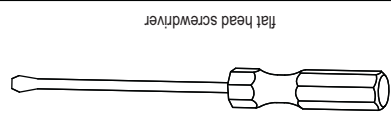


## COMPONENTS

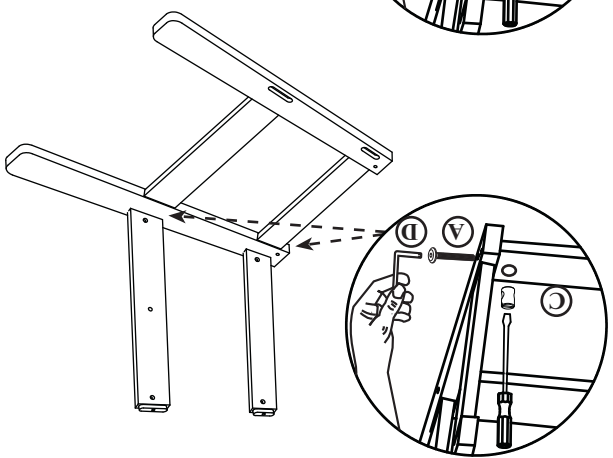


## TOOLS REQUIRED

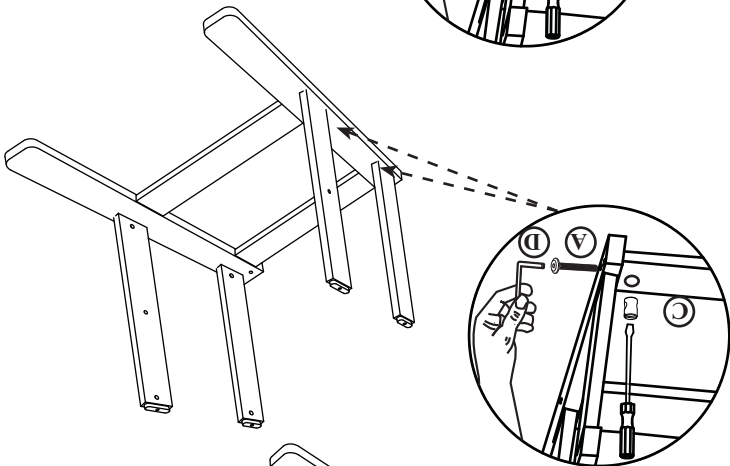
HARDWARE	
A	M6 x 55 mm 10 pcs.
B	50 mm 4 pcs.
C	10 pcs.
D	1 pc.
E	1 pc.



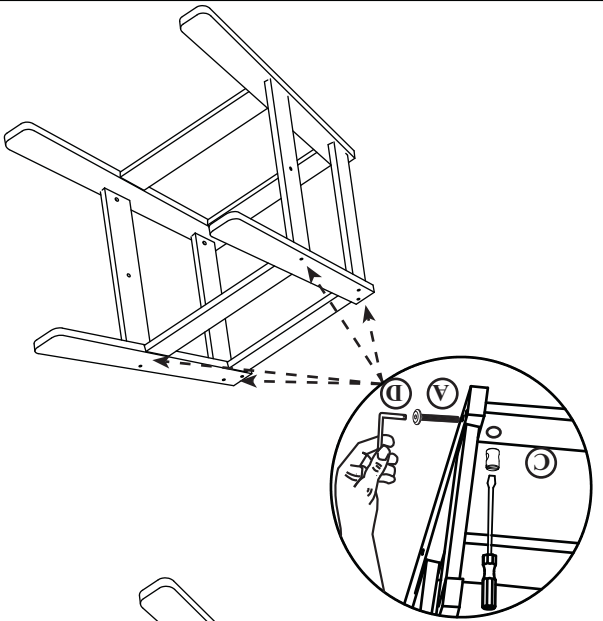
STEP 1



STEP 2



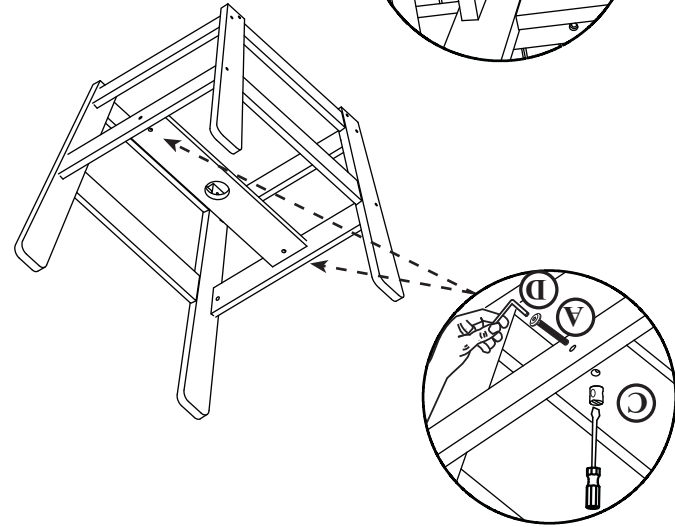
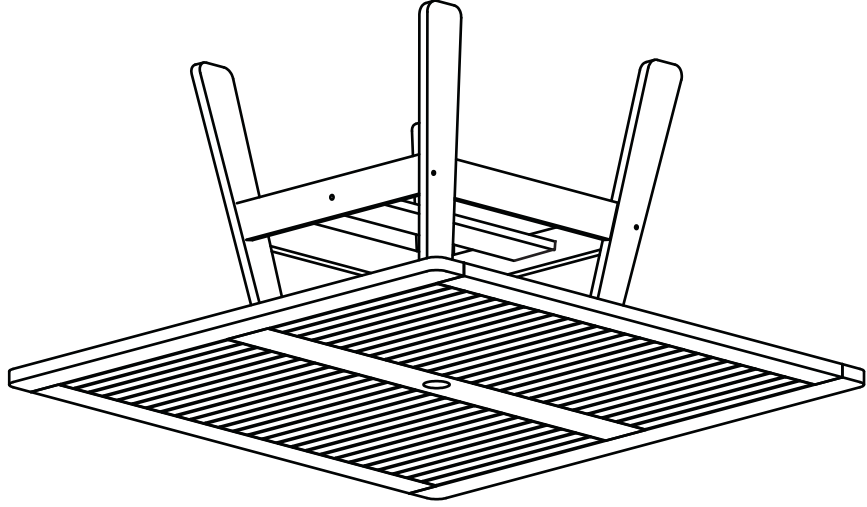
STEP 3



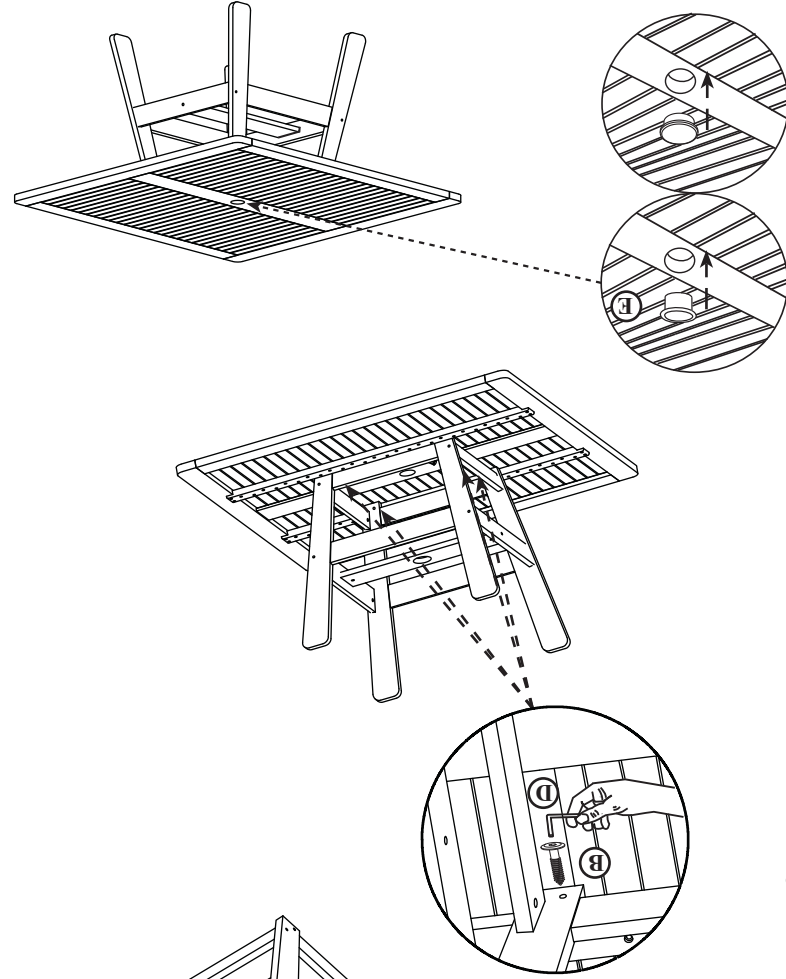
BEECHWORTH TABLE (#6405)

62260

Assembly Instructions



STEP 4



STEP 5