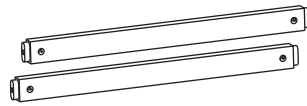
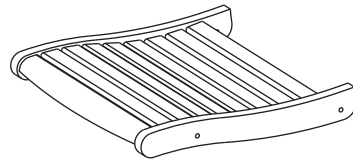
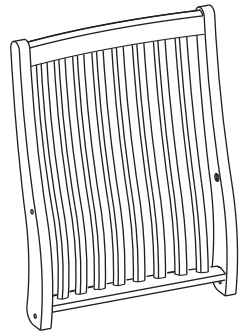
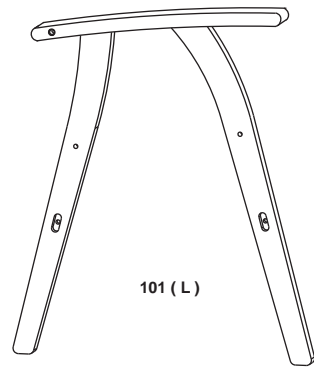
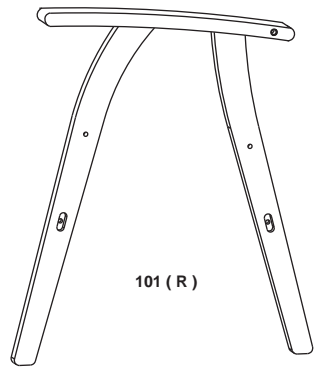






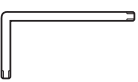


COMPONENTS



HARDWARE

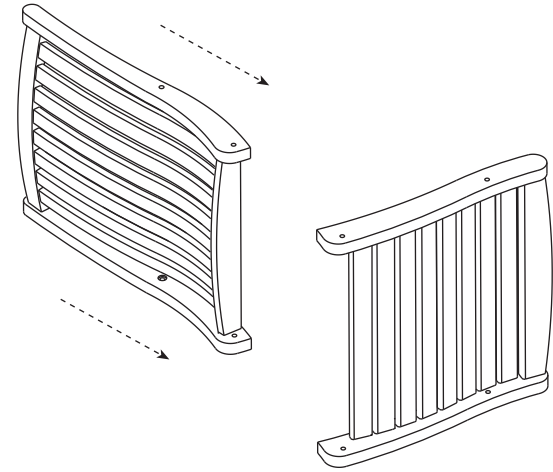
<p>A</p>  <p>M6 x 35 2 pcs.</p>	<p>B</p>  <p>M6 x 40 2 pcs.</p>	<p>C</p>  <p>M6 x 50 4 pcs.</p>	<p>D</p>  <p>M6 x 65 2 pcs.</p>
<p>E</p>  <p>4 pcs.</p>	<p>F</p>  <p>4 pcs.</p>	<p>G</p>  <p>1 pc.</p>	

TOOLS REQUIRED

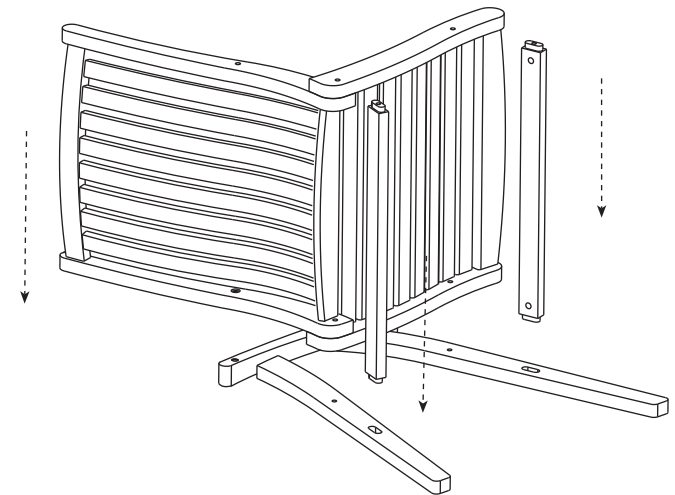


flat head screwdriver

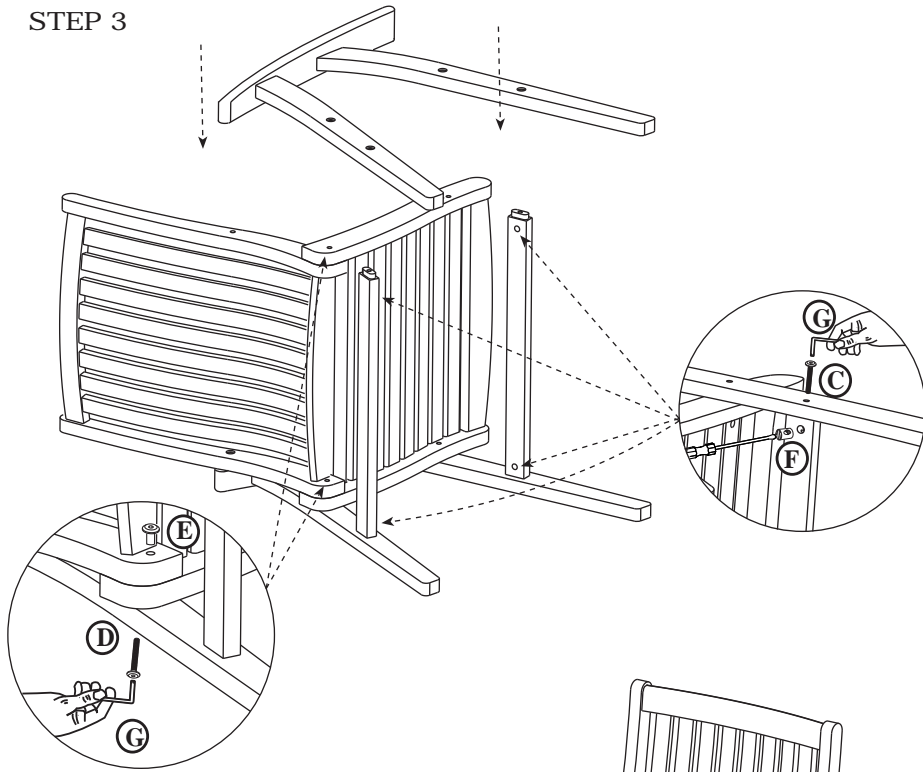
STEP 1



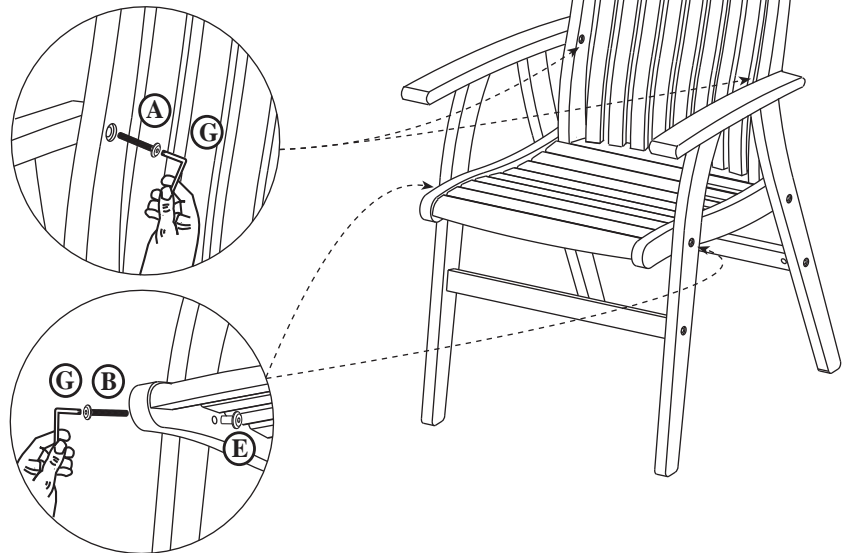
STEP 2



STEP 3



STEP 4



FRANKLIN CHAIR

62023

Assembly Instructions

