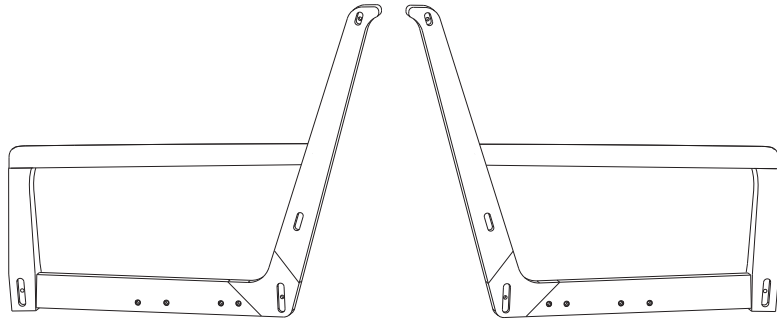
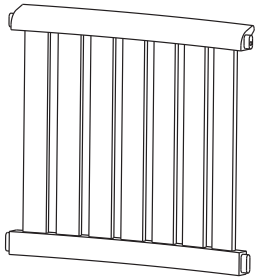


COMPONENTS

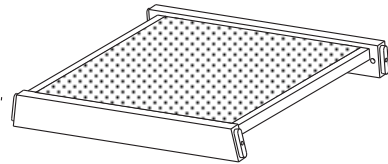


101 (R)

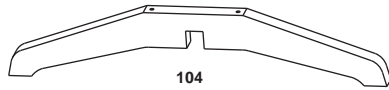
101 (L)



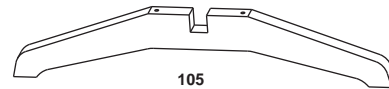
102



103



104

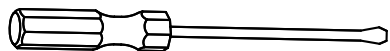


105

HARDWARE

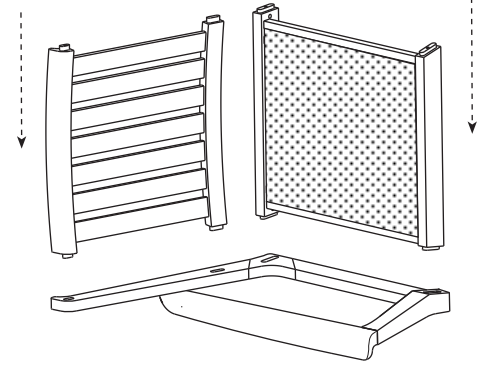
<p>A</p> <p>M6 x 20 8 pcs.</p>	<p>B</p> <p>M6 x 50 4 pcs.</p>	<p>C</p> <p>M6 x 70 pcs. 4 pcs.</p>	<p>D</p> <p>M6 x 75 pcs. 2 pcs.</p>
<p>E</p> <p>6 pcs.</p>	<p>F</p> <p>4 pcs.</p>	<p>G</p> <p>1 pc.</p>	<p>H</p> <p>1 pc.</p>

TOOLS REQUIRED

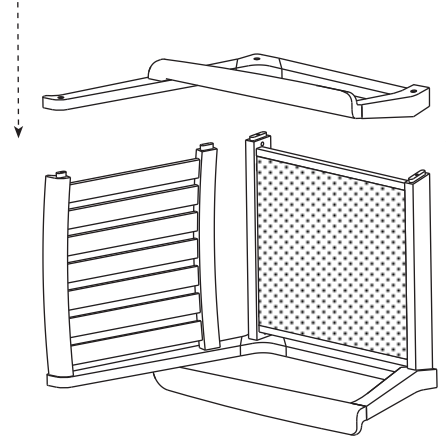


flat head screwdriver

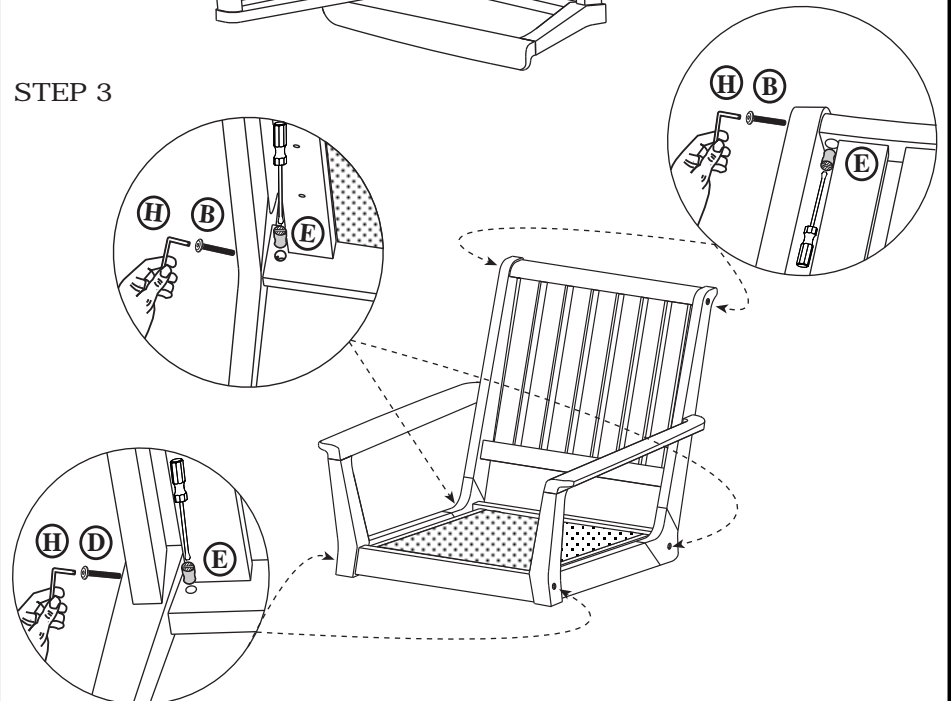
STEP 1



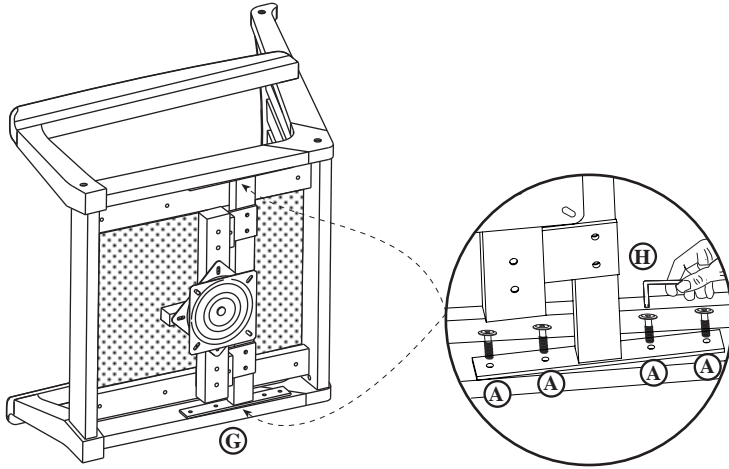
STEP 2



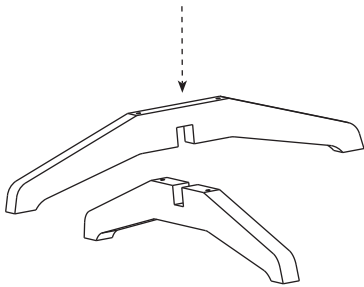
STEP 3



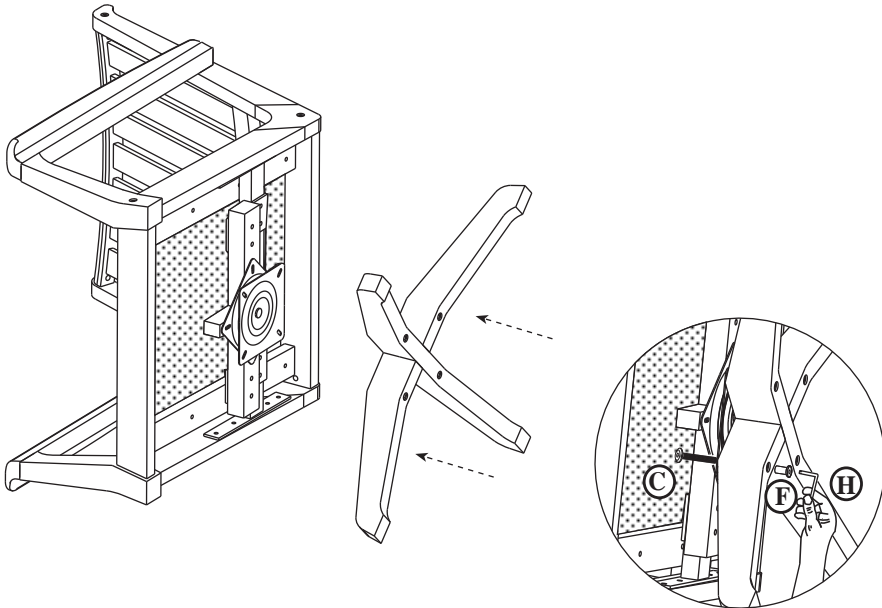
STEP 4



STEP 5



STEP 6



SKYE SWIVEL LOUNGE/ROCKER

61440

Assembly Instructions

