

SEASIDE CASUAL

ASSEMBLY INSTRUCTIONS

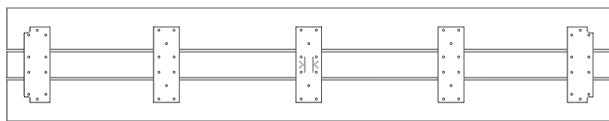
1

PLEASE READ INSTRUCTIONS COMPLETELY BEFORE BEGINNING.

Carefully remove contents from box. Make sure that all parts and hardware are included using the Parts List below.

Tools Required: 4mm Allen Wrench (included); #2 Phillips Head Screwdriver; Socket set (Recommended: Rubber Mallet; Power Drill)

TOP ASSEMBLY



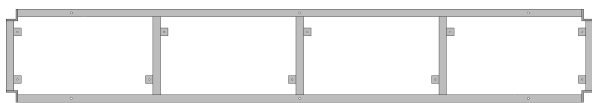
x 1

LEG



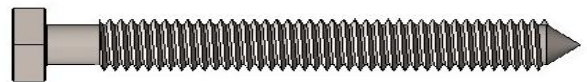
x 4

FRAME ASSEMBLY



x 1

1/4" X 80mm HEX HEAD LAG



x 8

3/4" PAN HEAD SCREW



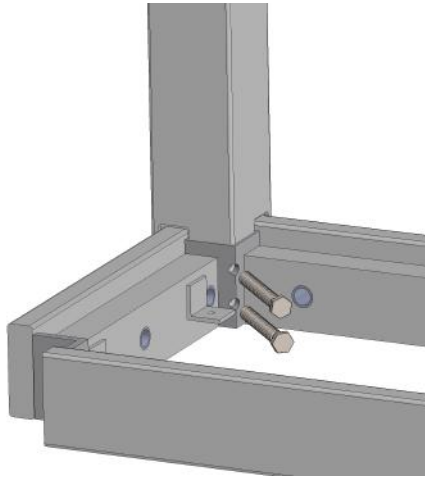
x 10

4mm ALLEN WRENCH

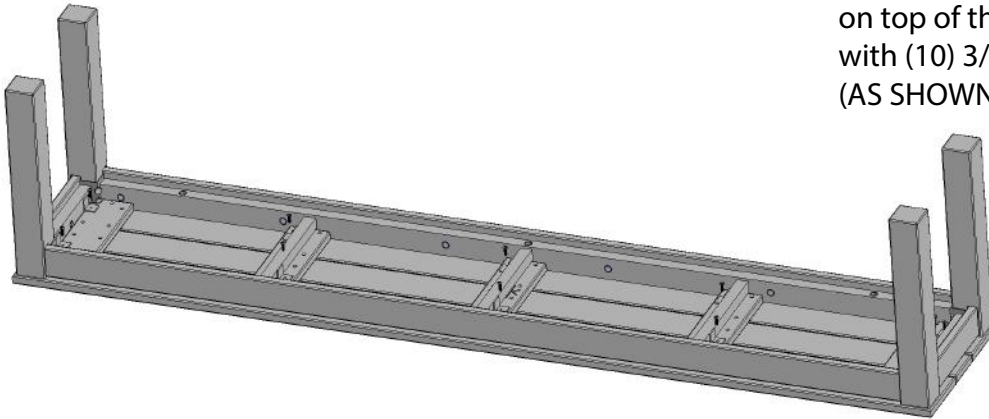
Actual Size



x 1

1**ATTACH LEGS**

On a clean flat surface connect Legs to Frame Assembly with (2) 1/4"x80mm Lags (AS SHOWN). Do Not Over Tighten.

2**ATTACH SEAT ASSEMBLY**

On a clean surface place frame and legs on top of the top assembly and attach with (10) 3/4" Pan Head screws (AS SHOWN). Do Not Over Tighten.