

Woven

603 Greenwich 60" Bench

611 Greenwich 80" Bench



SEASIDE CASUAL

ASSEMBLY INSTRUCTIONS

1

PLEASE READ INSTRUCTIONS COMPLETELY BEFORE BEGINNING.

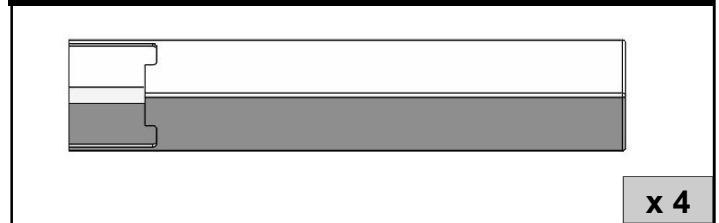
Carefully remove contents from box. Make sure that all parts and hardware are included using the Parts List below.

Tools Required: 5mm Allen Wrench (included); #2 Phillips Head Screwdriver; Socket set
(Recommended: Rubber Mallet; Power Drill)

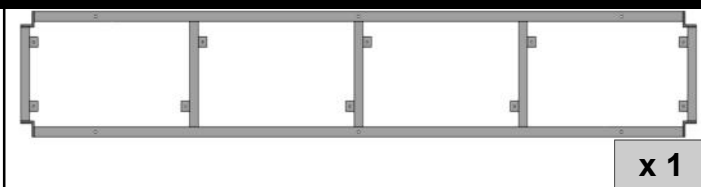
WOVEN TOP ASSEMBLY



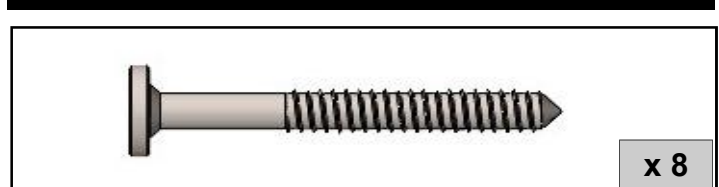
LEG



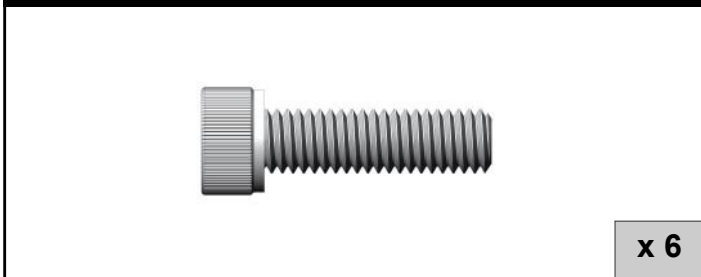
FRAME ASSEMBLY



50MM HEX LAG

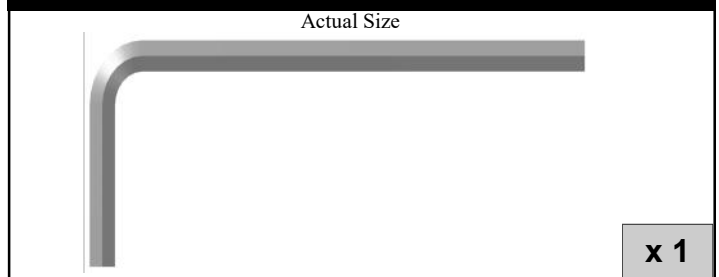


M6 SOCKET HEAD CAP SCREW



5mm ALLEN WRENCH

Actual Size

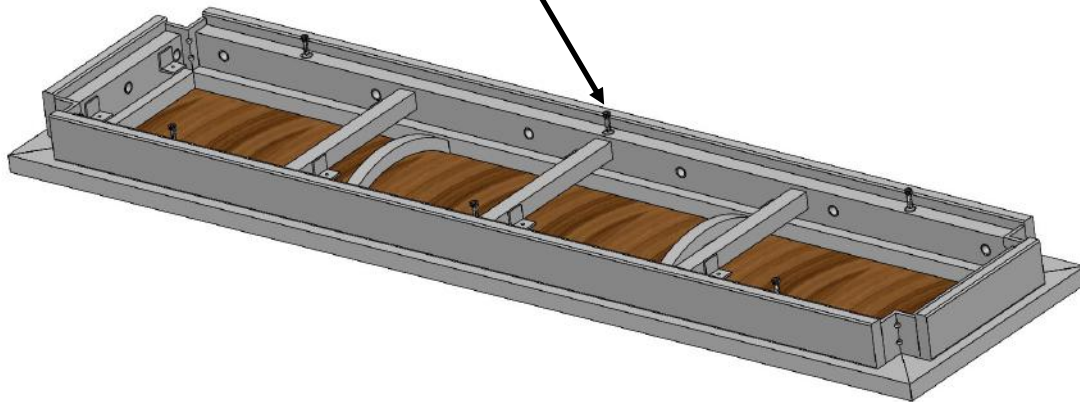


2 ATTACH WOVEN TOP ASSEMBLY

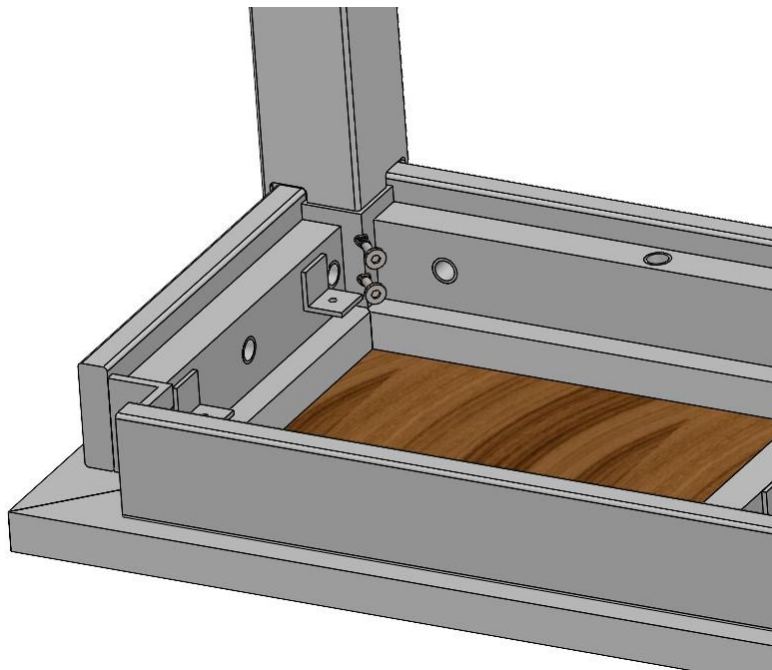
NOTE: Weave may have to be moved to reveal location of inserts as shown.



Locate the 6 inserts on the woven top assembly. Place the frame assembly on top of the woven top assembly and attach with (6) M6 Socket Head Cap screws using the included 5mm allen wrench.



3 ATTACH LEGS TO FRAME ASSEMBLY



On a clean flat surface connect each leg to the frame assembly with (2) 50MM Lags. (For Best Results use a Power Drill on a High Torque setting)