

**Slatted**

603 Greenwich 60" Bench

611 Greenwich 80" Bench



# SEASIDE CASUAL

## ASSEMBLY INSTRUCTIONS

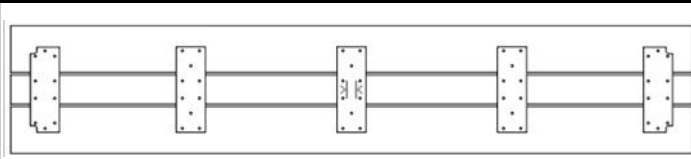
**1**

**PLEASE READ INSTRUCTIONS COMPLETELY BEFORE BEGINNING.**

Carefully remove contents from box. Make sure that all parts and hardware are included using the Parts List below.

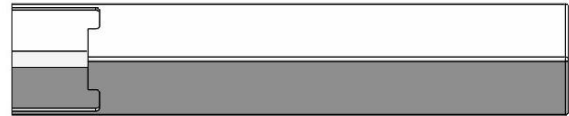
**Tools Required:** 4mm Allen Wrench (included); #2 Phillips Head Screwdriver; Socket set  
(Recommended: Rubber Mallet; Power Drill)

**SLATTED TOP ASSEMBLY**



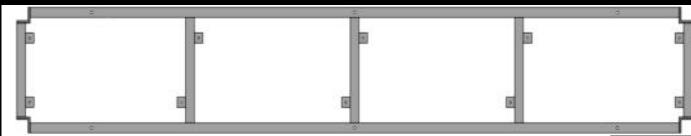
x 1

**LEG**



x 4

**FRAME ASSEMBLY**



x 1

**50MM HEX LAG**



x 8

**3/4" PAN HEAD SCREW**



x 10

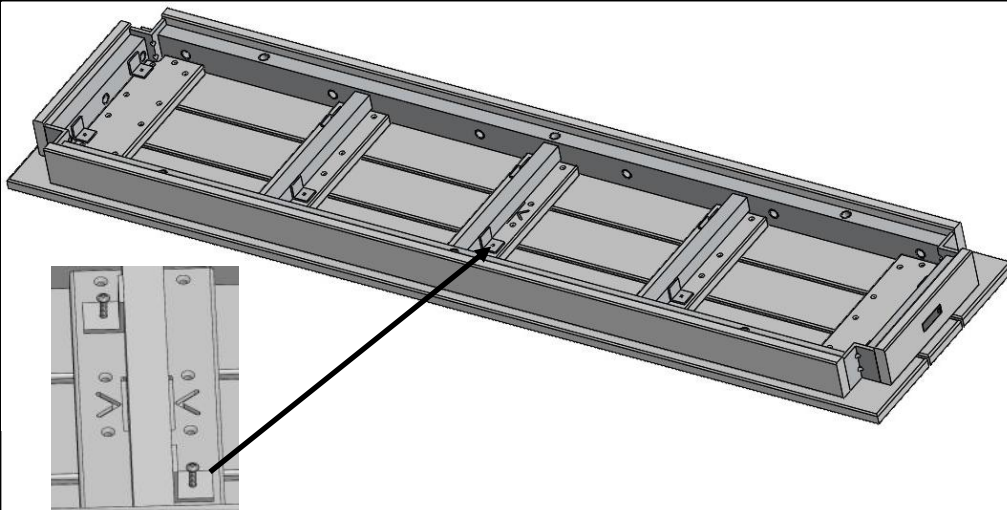
**4mm ALLEN WRENCH**

Actual Size



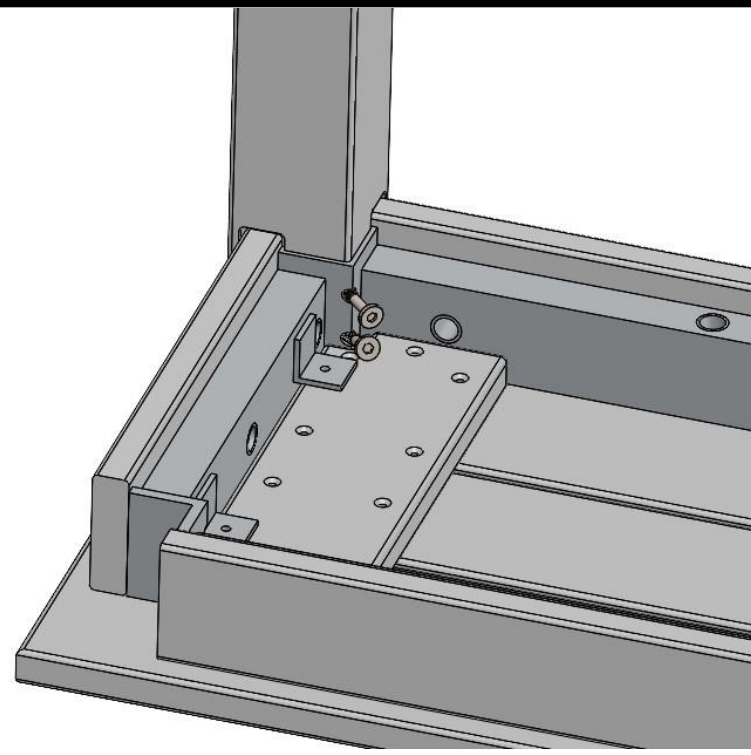
x 1

## **2 ATTACH SLATTED TOP ASSEMBLY**



Place frame on top of the slatted top assembly and align with center slat. Attach with (10) 3/4" Pan Head screws.

## **3 ATTACH LEGS**



On a clean flat surface connect each leg to the frame assembly with (2) 50MM Lags.  
(Recommended Power Drill on High Torque setting)