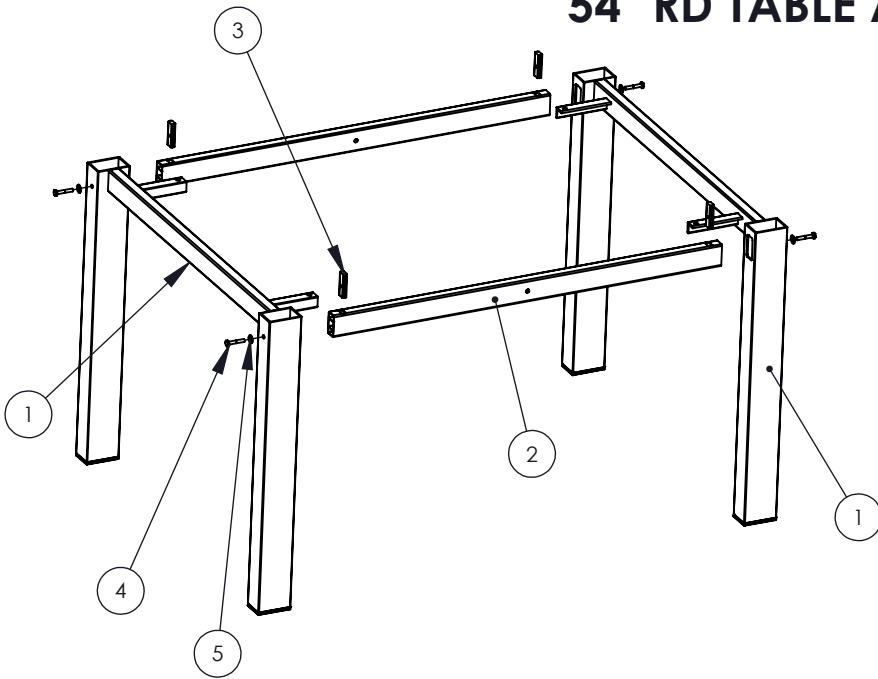


407399 HARDWARE PACK

54" RD TABLE ASMB



LEG ASSEMBLY:

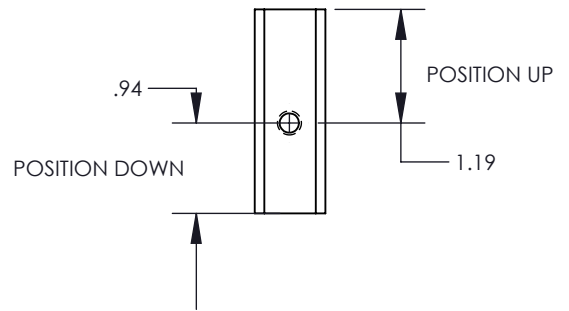
1) INSERT APRON (2) INTO SLOT CUT OUT ON LEG (1).

2) ALIGN AND DROP THREADED KEEPER (3) INTO APRON SLOT.

3) SECURE APRON TO LEG BY ALIGNING BOLT / WASHER (4 & 5) THROUGH LEG HOLE AND THREAD INTO THE THREADED KEEPER AS SHOWN. TIGHTEN BOLT.

REPEAT IN ALL FOUR(4) LOCATIONS.

NOTE: THREADED KEEPER HOLE IS OFFSET. SEE IMAGE BELOW SHOWING CORRECT ORIENTATION.



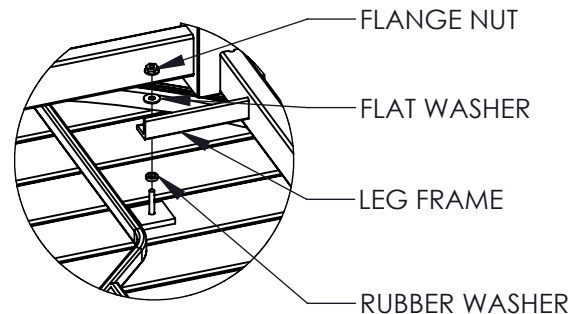
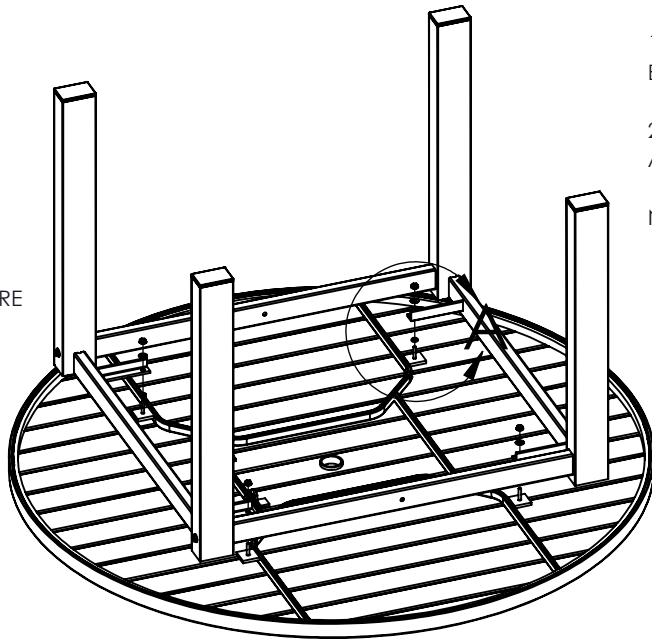
LEG TO TOP ASSEMBLY:

1) WITH TABLE TOP ON A PROTECTED SURFACE, ALIGN BASE WITH STUDS ON TOP.

2) SECURE BASE ASSEMBLY TO TOP USING HARDWARE AS SHOWN BELOW. TIGHTEN NUTS TO SECURE.

NOTE: EXTRA HARDWARE IS SENT

EXTRA
HARDWARE



DETAIL A

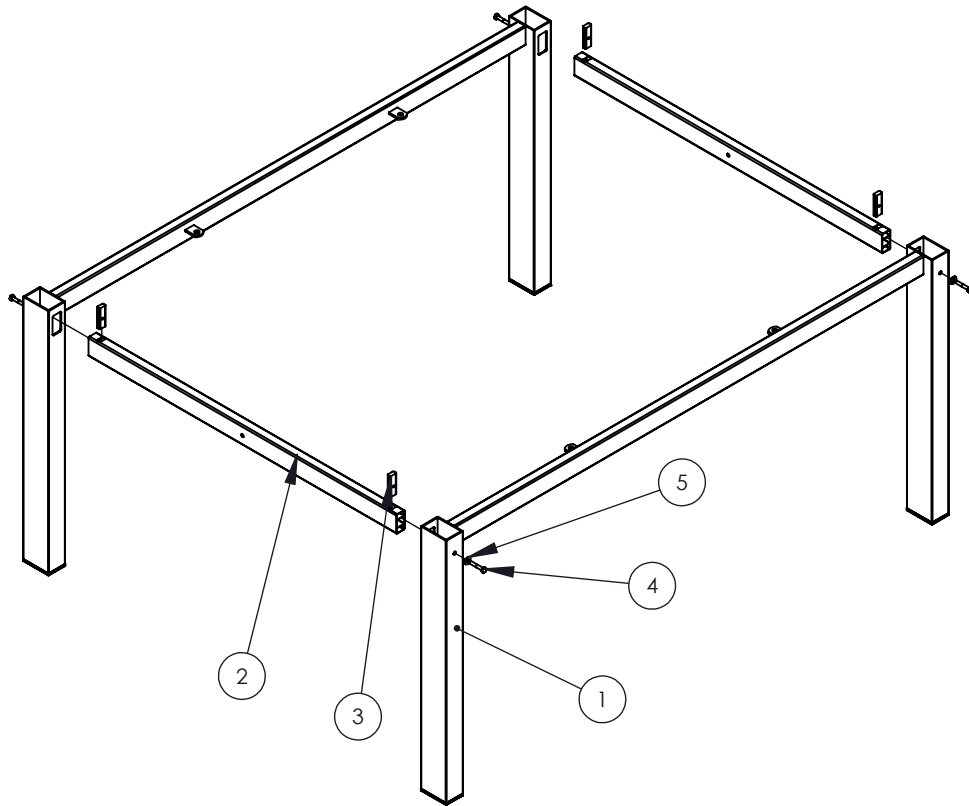
HOMECREST
OUTDOOR LIVING LLC
1250 Homecrest Ave
Wadena, MN 56482

1/2023
407399INST

| ITEM NO. | PART NUMBER | DESCRIPTION | QTY. |
|----------|-------------|----------------------------------|------|
| 1 | 007120 | Capscrew 1/4-20x1.5" Hex SS | 6 |
| 2 | 000967 | Washer, AL 0.687ODx0.265IDx0.051 | 16 |
| 3 | 002400 | 1/4"x20x5/8" Flange Nut Ss | 10 |
| 4 | 005445 | Washer 1/4" EPDM | 8 |
| 5 | 210744 CL | THREADED LEG KEEPER CLN | 4 |

407399 HARDWARE PACK

42"x67" & 42"x93" TABLE ASMB



LEG ASSEMBLY:

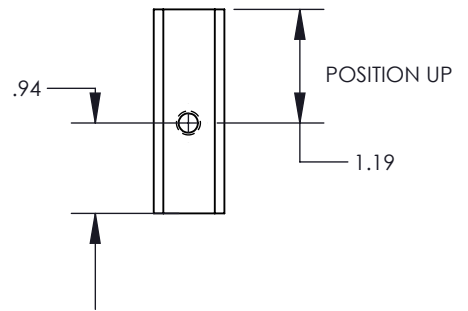
1) INSERT APRON (2) INTO SLOT CUT OUT ON LEG (1).

2) ALIGN AND DROP THREADED KEEPER (3) INTO APRON SLOT.

3) SECURE APRON TO LEG BY ALIGNING BOLT / WASHER (4 & 5) THROUGH LEG HOLE AND THREAD INTO THE THREADED KEEPER AS SHOWN. TIGHTEN BOLT.

REPEAT IN ALL FOUR(4) LOCATIONS.

NOTE: THREADED KEEPER HOLE IS OFFSET. SEE IMAGE BELOW SHOWING CORRECT ORIENTATION.



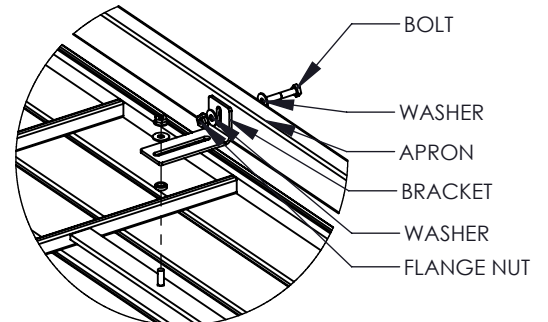
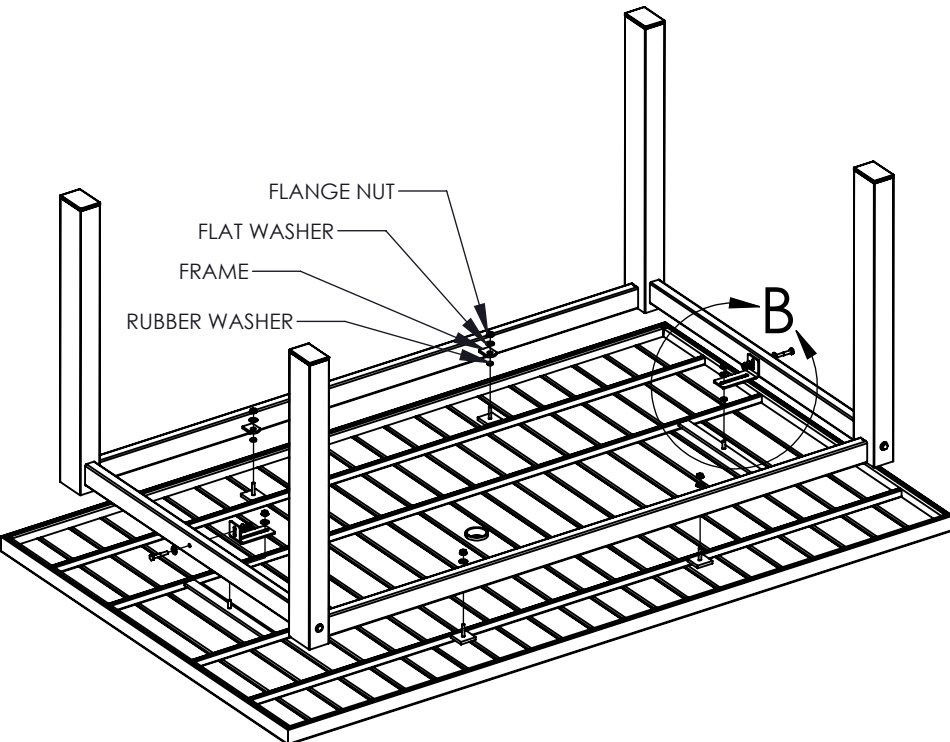
LEG TO TOP ASSEMBLY:

1) WITH TABLE TOP ON A PROTECTED SURFACE, ALIGN BASE WITH STUDS ON TOP.

2) SECURE BASE ASSEMBLY TO TOP USING HARDWARE AS SHOWN BELOW. TIGHTEN NUTS TO SECURE.

3) ATTACH TWO(2) BRACKETS TO END STUDS ON TOP AS SHOWN IN DETAIL B.

NOTE: EXTRA HARDWARE IS SENT



DETAIL B