

406395 Hardware Pack 37xxx Tables

ITEM NO.	PART NUMBER	DESCRIPTION	QTY.
1	000967	Washer, AL 0.687ODx0.265IDx0.051	8
2	002056	Nut Lock W/Nylon Insert 1/4-20	8
3	406395INST	Instruciton Sheet - 406395 Hardware	1
4	007120	Capscrew SS 1/4-20x1.5"HxHd	8

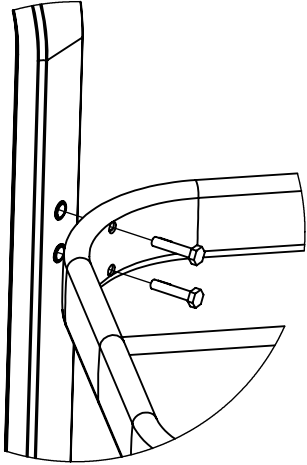


Fig 1

Table Assembly:

1. Place top on a protected surface upside down.
2. Using provided hardware, assemble the legs to the center support. You may have extra hardware depending on the table purchased. Fig 1 Do not tighten completely.
3. Again using provided hardware, assemble the base assembly to top support as shown in fig2.
4. All bolts can now be tightened.

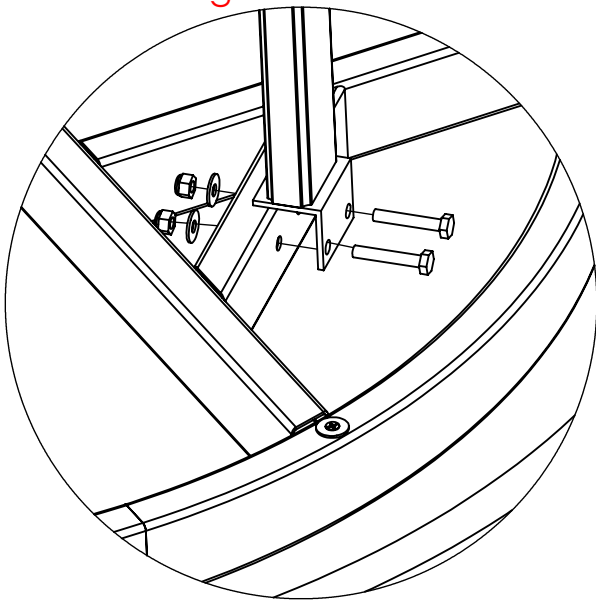


Fig 2

406395 Hardware Pack 31xxx Tables

ITEM NO.	PART NUMBER	DESCRIPTION	QTY.
1	000967	Washer, AL 0.687ODx0.265IDx0.051	8
2	002056	Nut Lock W/Nylon Insert 1/4-20	8
3	406395INST	Instruciton Sheet - 406395 Hardware	1
4	007120	Capscrew SS 1/4-20x1.5"HxHd	8

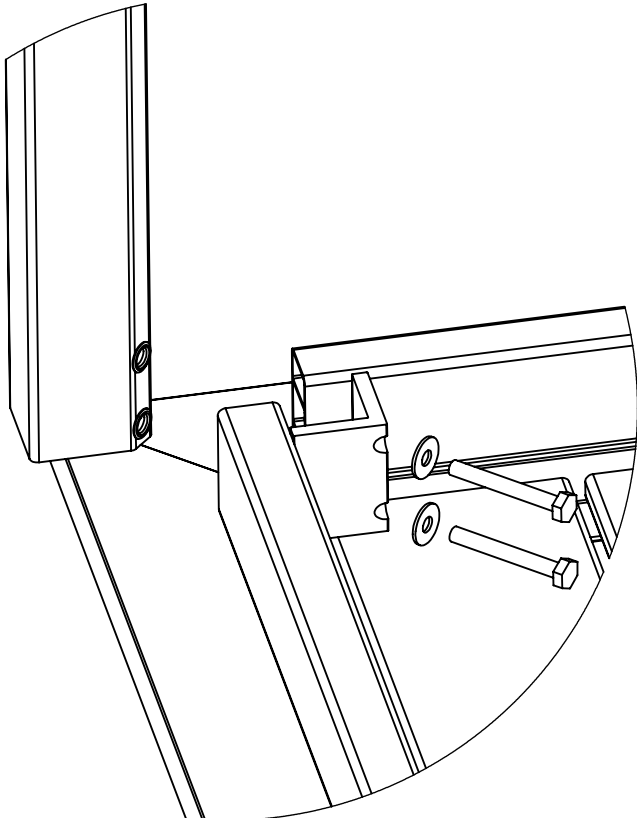
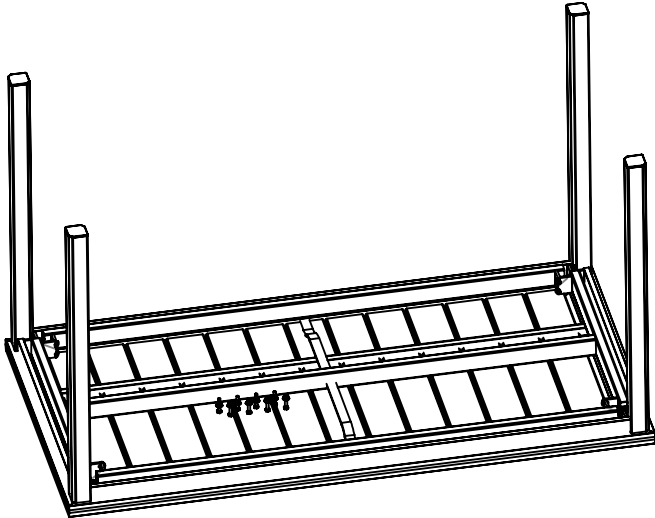


Table Assembly:

1. Do not push the leg tightly to the frame or gusset; leave a space to maneuver the leg and bolts.
2. The leg must be slightly tipped inward towards the table as you will not be able to start the bolts into the rivserts.
3. Start both bolts first then continue tightening the bolts until slightly snug.
4. Then completely tighten the lower bolt (top leg bolt) to pull the leg into position, helping the leg into position with your hand.
5. Finally, finish tightening top bolt.
 - Remember the table is upside down so the top leg bolt is the lower bolt on assembly of the items.
 - If this pattern is not followed, the leg will either be tipped, or the rivserts will strip out.