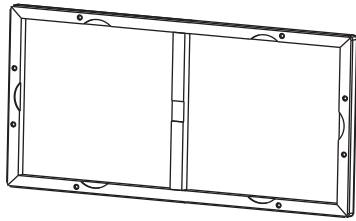
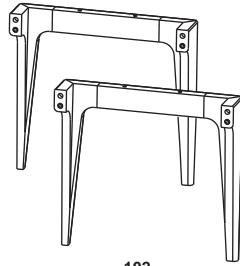


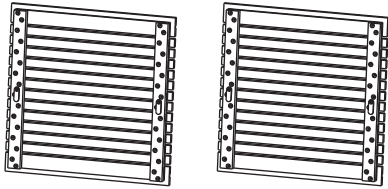
COMPONENTS



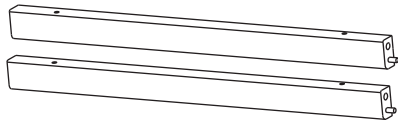
101



102





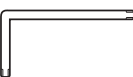


103

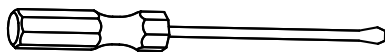


104

HARDWARE

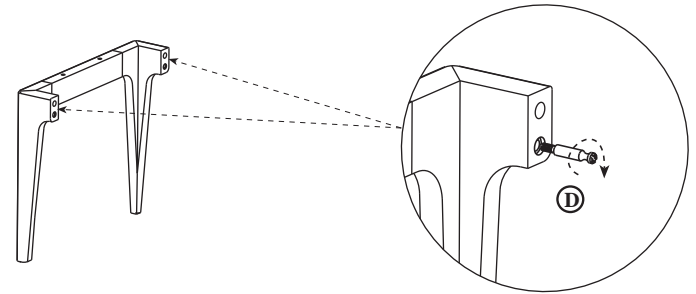
<p>A</p>  <p>M6 x 60 8 pcs.</p>	<p>B</p>  <p>4 pcs.</p>	<p>C</p>  <p>4 pcs.</p>	<p>D</p>  <p>4 pcs.</p>
<p>E</p>  <p>1 pc.</p>			

TOOLS REQUIRED

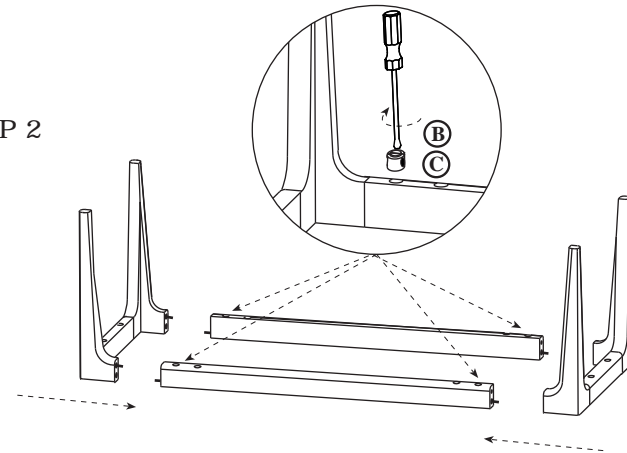


flat head screwdriver

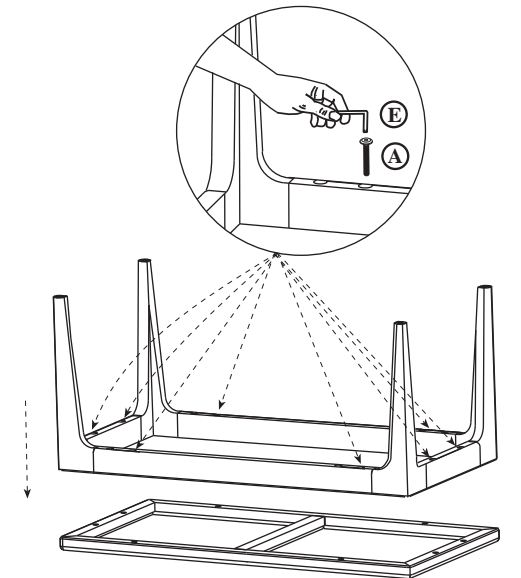
STEP 1



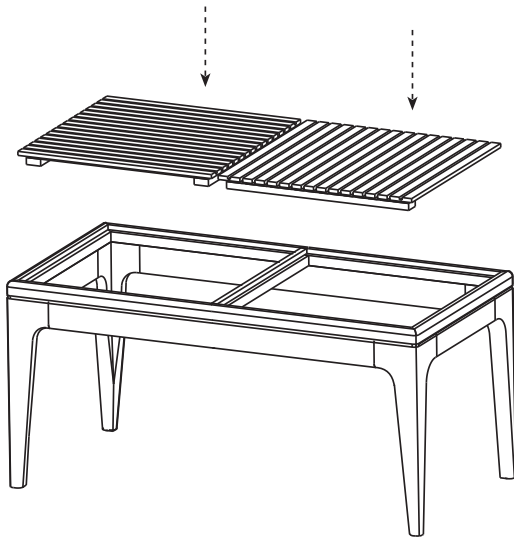
STEP 2



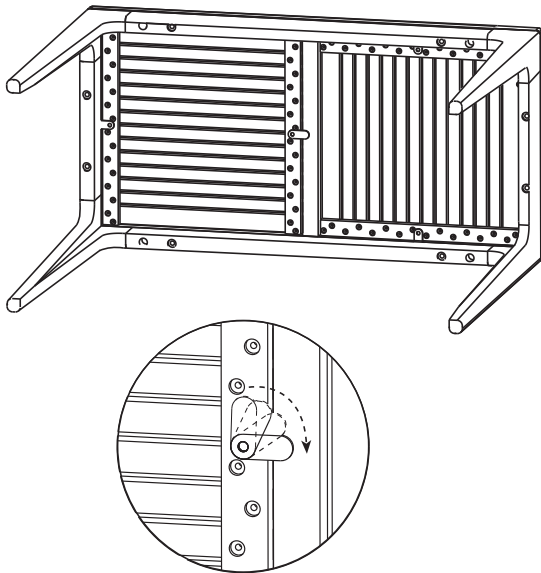
STEP 3



STEP 4



STEP 5



MIX SIDE TABLE

28700

Assembly Instructions

