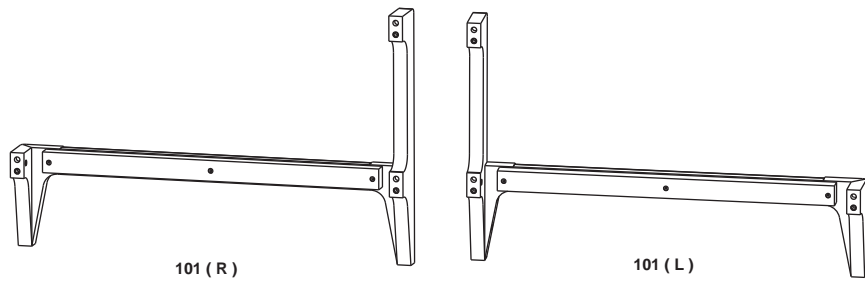
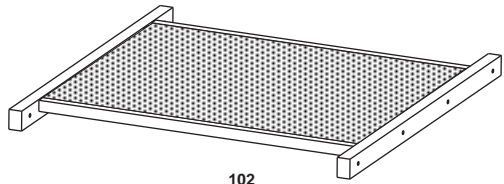


COMPONENTS



101 (R)

101 (L)



102







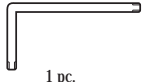


103

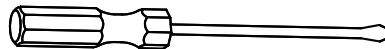


104

HARDWARE

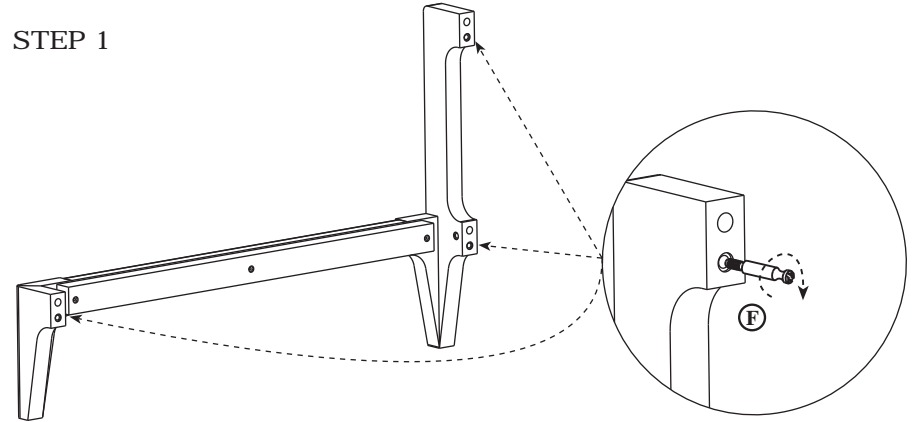
<p>A</p>  <p>M6 x 45 8 pcs.</p>	<p>B</p>  <p>M6 x 20 4 pcs.</p>	<p>C</p>  <p>2 pcs.</p>	<p>D</p>  <p>6 pcs.</p>
<p>E</p>  <p>6 pcs.</p>	<p>F</p>  <p>6 pcs.</p>	<p>G</p>  <p>1 pc.</p>	

TOOLS REQUIRED

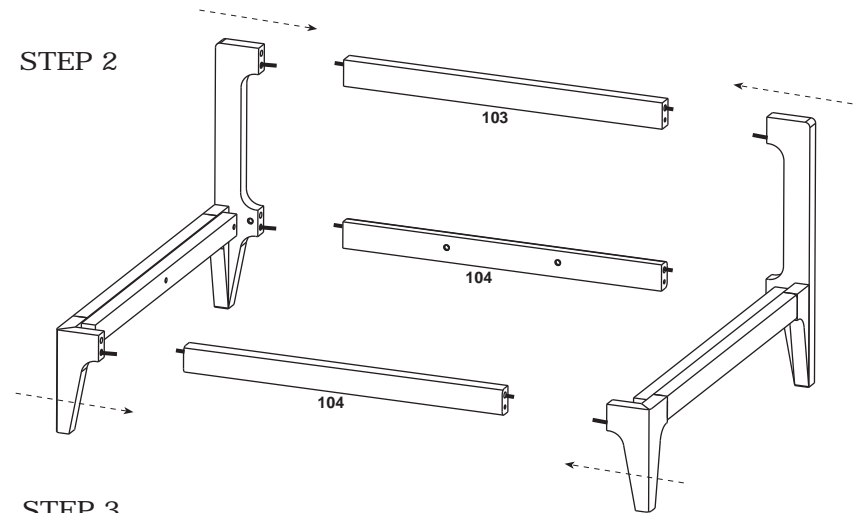


flat head screwdriver

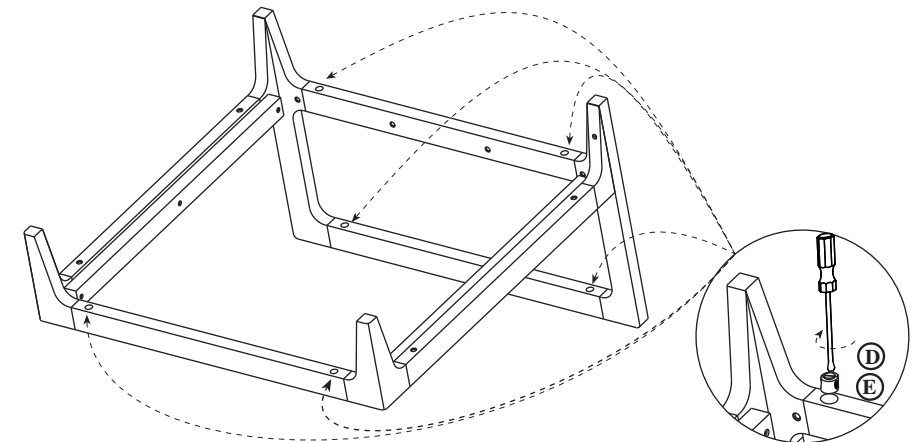
STEP 1



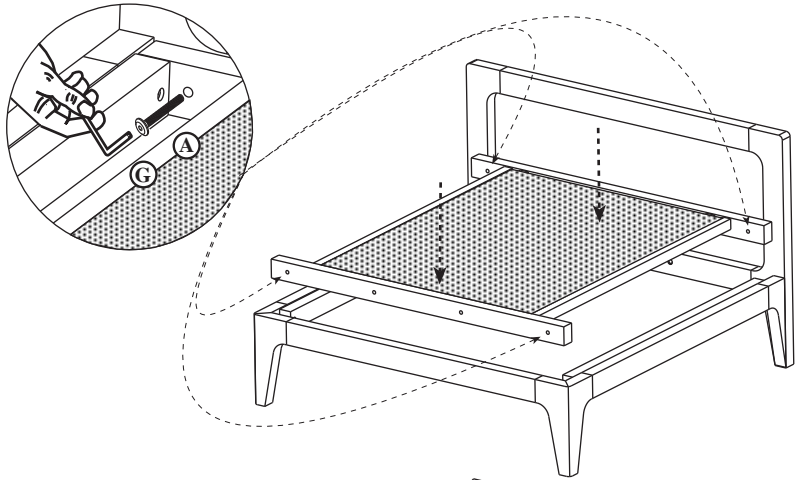
STEP 2



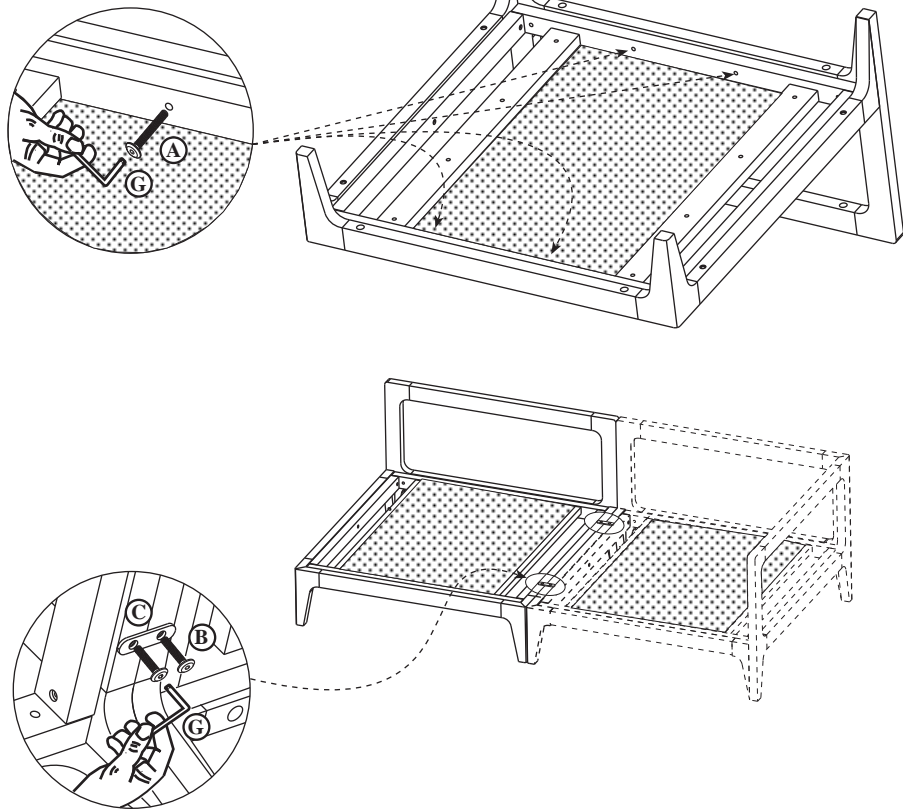
STEP 3



STEP 4



STEP 5



MIX EXTENSION
IPE FRAME
28470
Assembly Instructions

