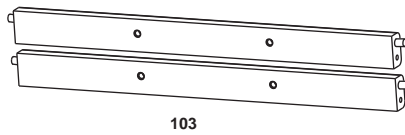
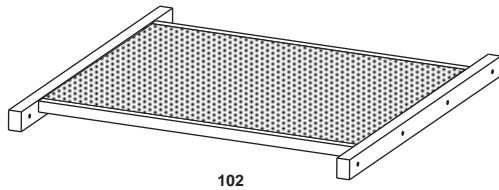
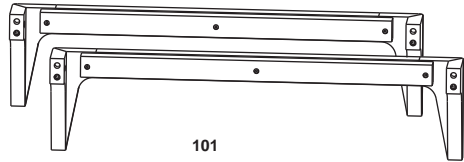




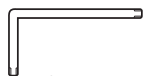


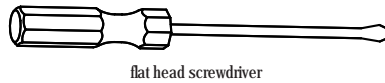
COMPONENTS



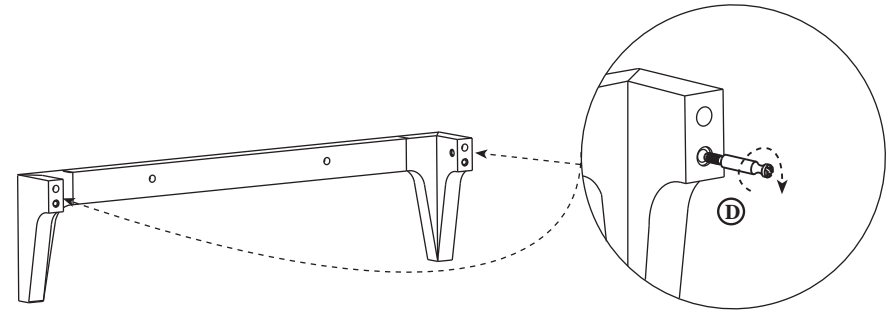
HARDWARE

<p>A</p>  <p>M6 x 45 8 pcs.</p>	<p>B</p>  <p>4 pcs.</p>	<p>C</p>  <p>4 pcs.</p>	<p>D</p>  <p>4 pcs.</p>
<p>E</p>  <p>1 pc.</p>			

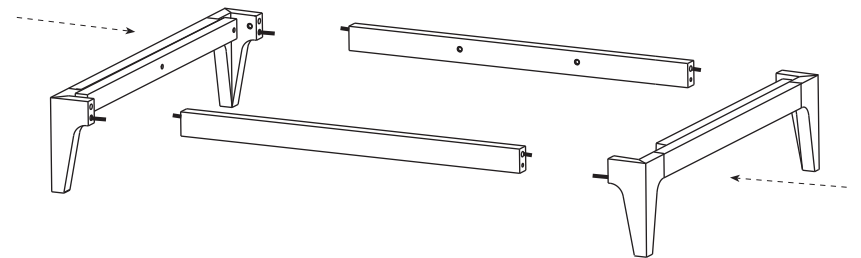
TOOLS REQUIRED



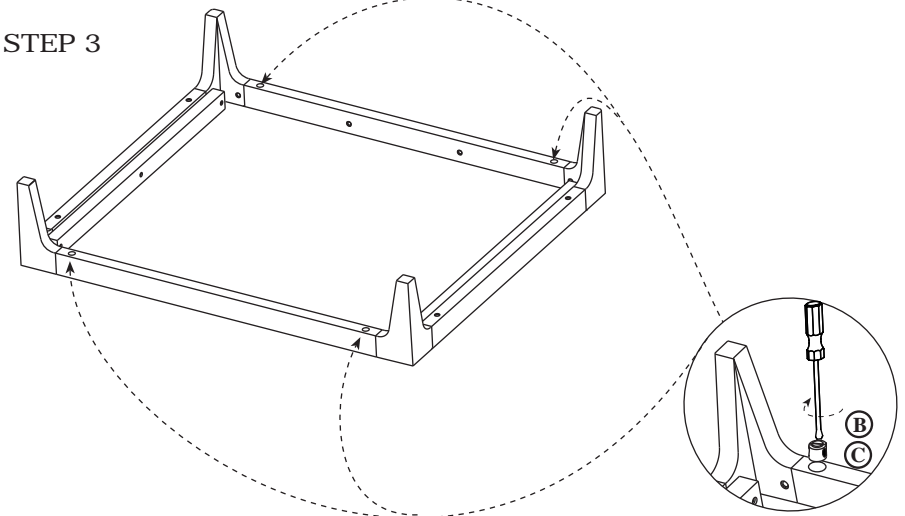
STEP 1



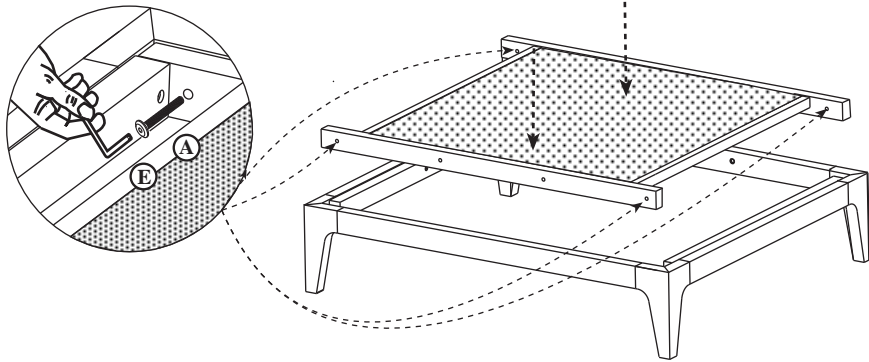
STEP 2



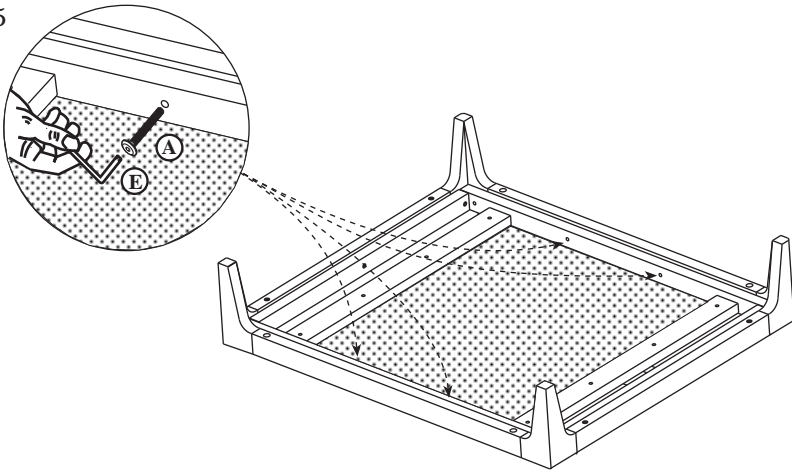
STEP 3



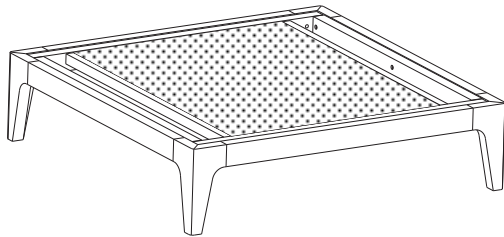
STEP 4



STEP 5



STEP 6



MIX OTTOMAN IPE FRAME

28410

Assembly Instructions

