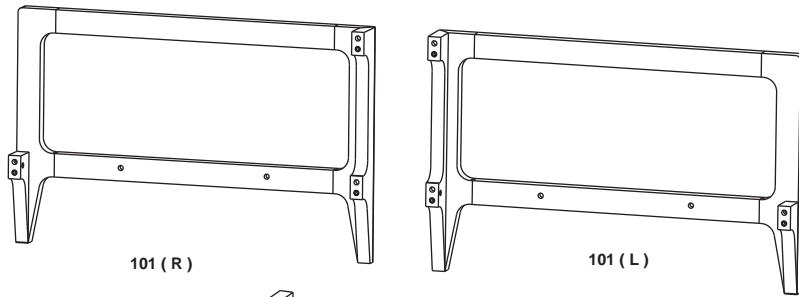
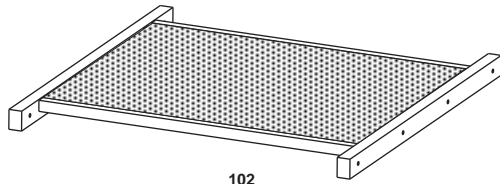


COMPONENTS



101 (R)

101 (L)



102





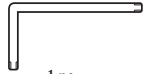


103



104

HARDWARE

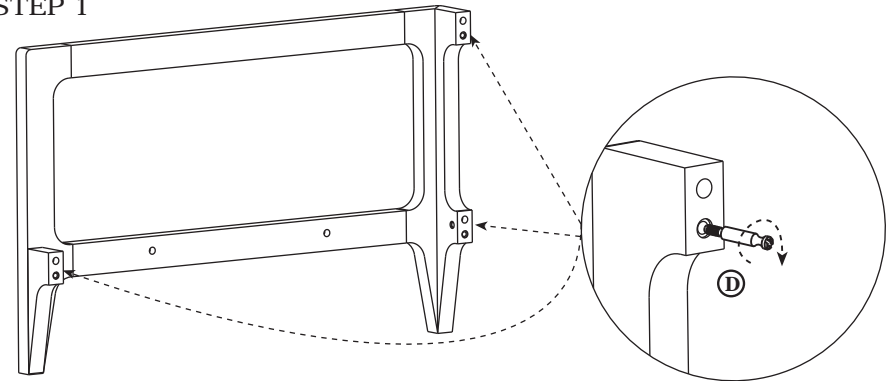
<p>A</p>  <p>M6 x 45 8 pcs.</p>	<p>B</p>  <p>6 pcs.</p>	<p>C</p>  <p>6 pcs.</p>	<p>D</p>  <p>6 pcs.</p>
<p>E</p>  <p>1 pc.</p>			

TOOLS REQUIRED

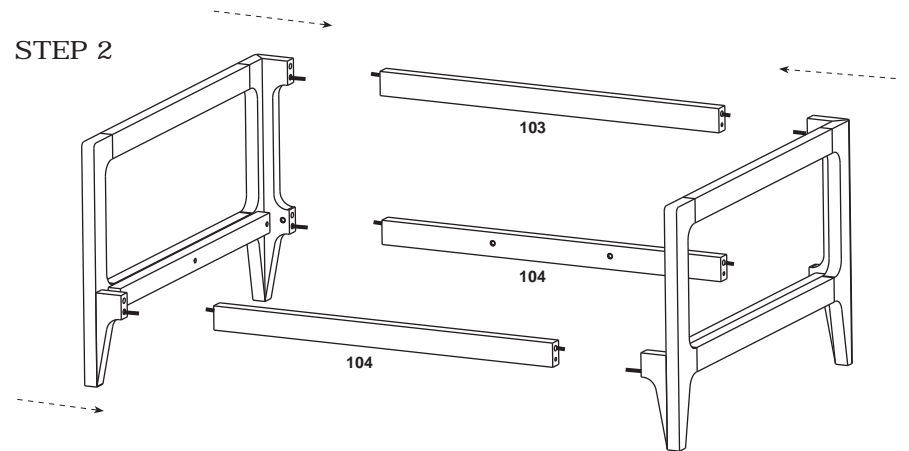


flat head screwdriver

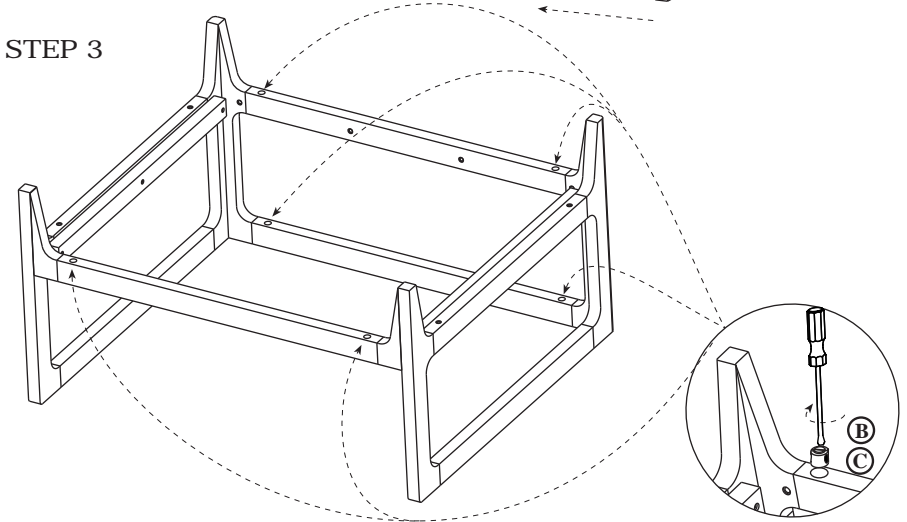
STEP 1



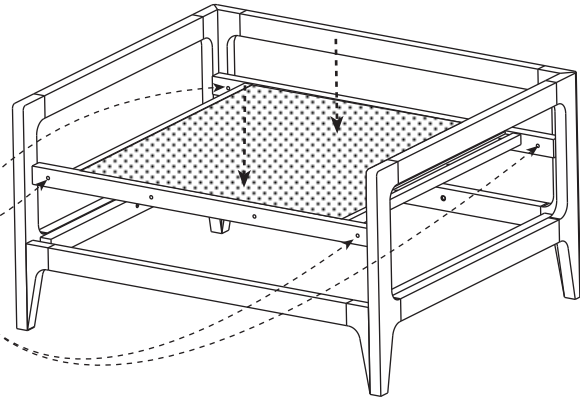
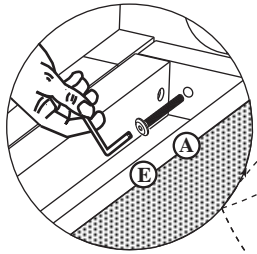
STEP 2



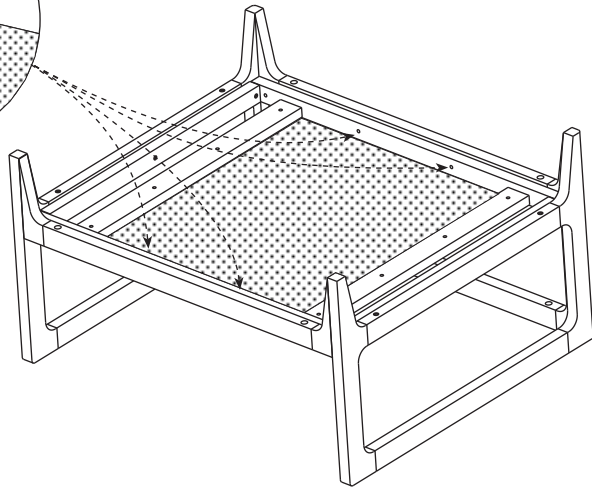
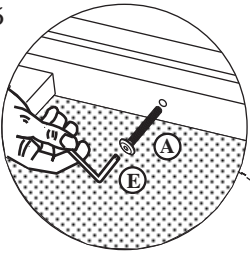
STEP 3



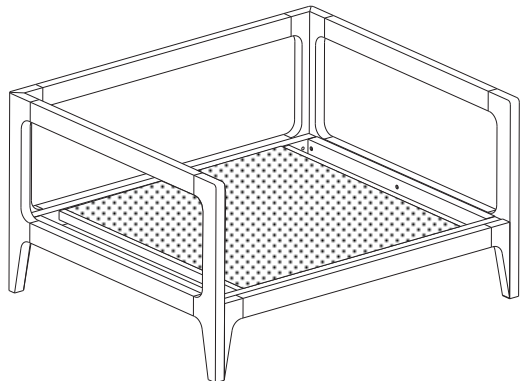
STEP 4



STEP 5



STEP 6



MIX LOUNGE

28400

Assembly Instructions

